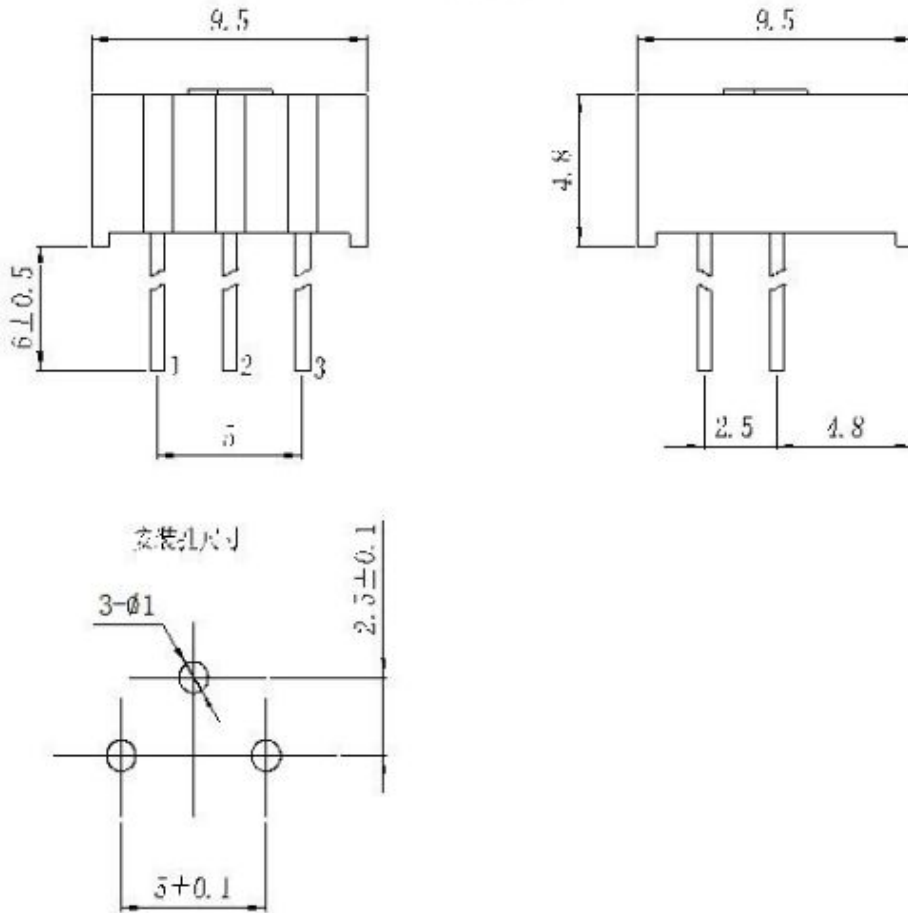


Dimensions:

附录 (外型图)

3386P



Specifications:

Electrical Characteristics	Range of nominal resistance	10Ω~5MΩ
	Resistance tolerance	±10%
	Terminal resistance	≤±1%R or 2Ω
	Contact resistance variation (CRV)	≤±1%R or 3Ω
	Insulation resistance	≥ 1GΩ (100V AC)

	Withstand voltage	500V (DC or AC peak value)
	Effective electrical travel	$\geq 250^\circ$
Environment Characteristics	Rated power	0.5W (300V max)
	Temperature range	-55°C~+125°C
	TCR	$\pm 250 \times 10^{-6}/^\circ\text{C}$
	Collision (390m/S ² , 4000 times)	$\Delta R \leq \pm 1\%R$
	Vibration (10-500HZ, 0.75mm, 6h)	$\Delta R \leq \pm 1\%R$, $\Delta U_{ab}/U_{ac} \leq \pm 2\%R$, Electrical break $\leq 100\mu\text{S}$
	Temperature variation (-55°C/30min, +125°C/30min, 5 cycles)	$\Delta R \leq \pm 2\%R$, $\Delta U_{ab}/U_{ac} \leq \pm 2\%R$
	Climate category (IEC68-2-2)	$\Delta R \leq \pm (5\%R + 0.1\Omega)$, Insulation Resistance $\geq 100\text{M}\Omega$
	Electrical endurance (0.5W, 1000h)	$\Delta R \leq \pm (5\%R + 0.1\Omega)$, $\text{CRV} \leq \pm 3\%R$ or 5Ω
	Mechanical endurance (200 cycles)	$\Delta R \leq \pm (10\%R + 0.5\Omega)$, $\text{CRV} \leq \pm 3\%R$ or 5Ω
	Steady damp heat (IEC68-2-3, Ca, 96h)	$\Delta R \leq \pm (5\%R + 0.1\Omega)$, Insulation Resistance $\geq 100\text{M}\Omega$
Physical Characteristics	Total mechanical travel	$300^\circ \pm 10^\circ$
	Starting torque	$\leq 20\text{mN.m}$
	Stopper torque	$\leq 75\text{mN.m}$
	Standard package	50 pcs /tube

Applications:

- Automotive
- Alarm Systems
- Telecommunications Equipment
- Measurement and Test Equipment
- Electronics Appliances