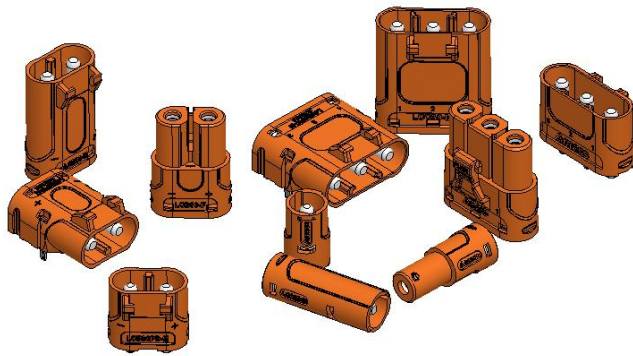


# LC40 Series Specification



## specification Of Amass's LC Series

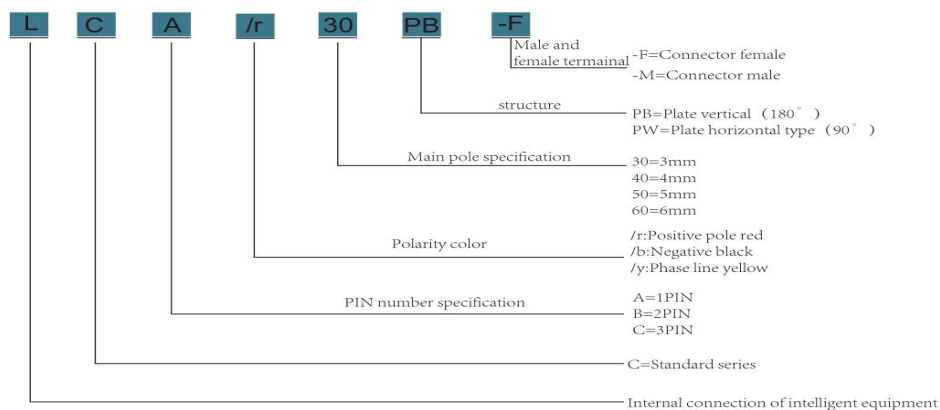
Scan code for more product information



### 【Description of products】

LC series is travel tools, garden tools, power tools, Smart home appliances, intelligent robots and other industries, with strong earthquake resistance, Stable and reliable current carrying capacity, low temperature rising performance and simple wire assembly characteristics; Don't Connectors of the same diameter are available as single Pin, double Pin and three Pin, wire type, plate vertical, Plate horizontal type, more suitable for different product needs, more universal.

### 【Model Designation】



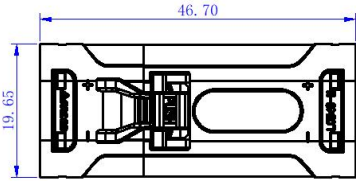
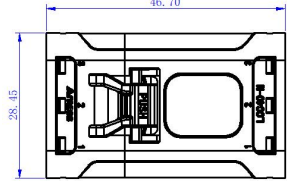
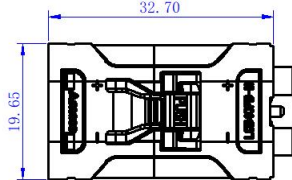
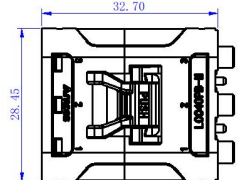
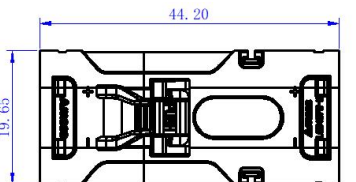
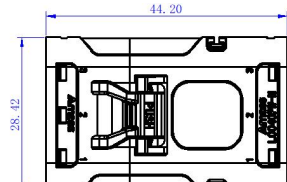
### 【Technical Parameter】

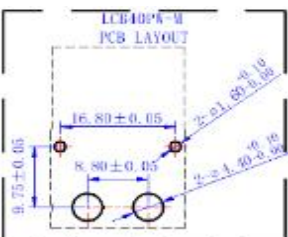
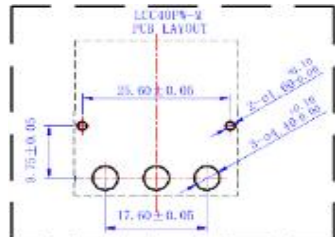
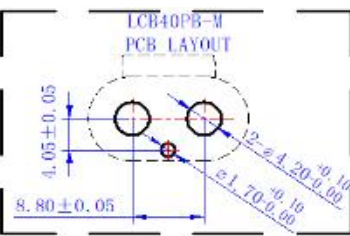
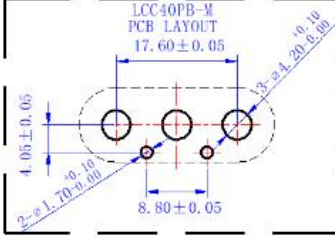
<b>Voltage</b>	600V DC	<b>Work Temperature</b>	-40~120°C	<b>Contact Resistance</b>	≤0.6mΩ
<b>Insulation Resistance</b>	≥2000MΩ	<b>Salt Spray</b>	48h	<b>Wire Connection Mode</b>	Hexagonal riveting
<b>Housing Material</b>	PBT	<b>Terminal Material</b>	Copper, Silver Plated	<b>Plate Connection Mode</b>	Tin Welding
<b>Flame Level</b>	UL94 V-0 (0.8mm)	<b>Glowing Wire Flammability Index</b>	GWFI 850°C (0.8mm)	<b>Environmental Performance</b>	RoHS2.0


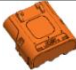
### 【Welding Process Parameter】

<b>Welding Process Of Plate Connector</b>	Wave Soldering	<b>Connector solder leg length</b>	2.8mm	<b>Wave soldering furnace temperature parameters (welding zone)</b>	1. Lower temperature area (under PCB board: welding foot) : 240°C~270°C 2. Upper temperature area (PCB board: plastic shell area) : ≤180°C 3. Welding duration: 3 to 6s (Subject to Customer's actual Debugging)
---	----------------	------------------------------------	-------	---	---





Model	Adapter Diameter					Maximum cable outer diameter mm	Rated Current	Temperature Rise
	American Standard		National Standard					
	A. W. G	Copper mm <sup>2</sup>	Copper Wire mm	mm <sup>2</sup>	Copper Wire mm			
LC40	10#	5.2	0.08	6.0	0.31	6.4	67A	85K
	12#	3.3		4.0			50A	
	10#	5.2		6.0			52A	55K
	12#	3.3		4.0			42A	
	10#	5.2		6.0			45A	40K
	12#	3.3		4.0			35A	
	10#	5.2		6.0			35A	30K
	12#	3.3		4.0			30A	

	LCB40	LCC40
Product		
Docking		
Outer Outline Drawing		

	LCB40	LCC40
PCB		
Hole Size		

Product Model	Product Name	Product Drawing	Component Model	Component Name	Component Diagram
LCB40-F	LCB40-F Finished Product		97001-F	LCB40-F Plastic Shell Assembly	
			91020-F	LC40-F Copper Component	/
LCB40-M	LCB40-M Finished Product		97001-M	LCB40-M Plastic Shell Assembly	
			99028-M	LC40-M Copper Component	/
LCB40PB-M	LCB40PB-M Finished Product		/	LCB40PB-M	/
LCB40PW-M	LCB40PW-M Finished Product		/	LCB40PW-M	/
LCC40-F	LCC40-F Finished Product		97011-F	LCC40-F Plastic Shell Assembly	
			91020-F	LC40-F Copper Component	/
LCC40-M	LCC40-M Finished Product		97011-M	LCC40-M Plastic Shell Assembly	
			99028-M	LC40-M Copper Component	/
LCC40PB-M	LCC40PB-M Finished Product		/	LCC40PB-M	/
LCC40PW-M	LCC40PW-M Finished Product		/	LCC40PW-M	/

**【Instructions】**

 <p>During connector using, do not exceed the rated current and voltage</p>	<ul style="list-style-type: none"> <li>• Current and voltage overloads can cause faults and accidents.</li> <li>• Plug connector in live state, will lead to faults and accident. Therefore, please plug the connector when no current load on the circuit.</li> </ul>	 <p>Please confirm the environment</p>	<ul style="list-style-type: none"> <li>• Do not use in high temperature and humidity environment.</li> <li>• Failure may occur if not used in the environment specified in the specification. So please don't do it here</li> </ul>
 <p>Do not use when external force is applied to the connector</p>	<ul style="list-style-type: none"> <li>• Do not power on connectors and wires under stress. If too much external force, will lead to damage, Faults and accidents occur, so do not use in this situation.</li> <li>• The connector is designed as the connecting part of the circuit, so do not use the connector as the junction of the shell, to construct part of an object.</li> </ul>	 <p>Use carefully</p>	<ul style="list-style-type: none"> <li>• Connectors are precision parts. Please be careful when using them.</li> <li>• Be careful when you open the package, even the part protected by tape packing and tubular packing, the terminal also will be deformation, bending, propping and other phenomena.</li> </ul>

**【Transportation and storage】**

- a) The products shall be stored in a clean and dry environment, and there shall be no acid, alkali or other corrosive gases around the warehouse.
- b) The product storage temperature is - 10 °C ~ 40 °C, and the relative humidity is ≤ 80%.
- c) Silver plated products shall be kept away from light, sealed and sealed for storage. It is strictly prohibited to expose to the air for a long time or contact with sulfide, or touch with bare hands.
- d) The product can be used for transportation by conventional means of transportation. Collision, violent vibration, rain and snow, water immersion, etc. shall be avoided during transportation.

Authorized Strength :

Check :

Quality :

Ratify :