



INDIESEMIC

Datasheet

ISC-nRF52840-B

An advanced multiprotocol ultra-low power BLE module

V0.2, Initial Draft



Table of Contents

1. Abbreviations	3
2. General Description.....	4
3. Features	5
4. Applications.....	9
5. Application Block Diagram.....	10
6. PCB Dimensions and Pin Indication	11
7. PCB Footprint.....	12
8. Pin Assignment	13
9. Interfaces.....	16
Power Supply.....	16
System Function Interfaces.....	16
GPIOs.....	16
Two-wire Interface.....	17
Flash Program I/Os.....	17
Serial Peripheral Interface	17
UARTs.....	18
Analogue to Digital Converter	19
Low Power Comparator (LPCOMP).....	20
Reset	20
NFC	20
10. Electrical Characteristics.....	21
Absolute Maximum Ratings	21
Recommended Operating Ratings.....	21
Current Ratings	21



1. Abbreviations

Abbreviations	Description
BLE	Bluetooth Low Energy
TX	Transmission
RX	Reception
FPU	Floating Point Unit
RSSI	Received Signal Strength Indication
AES	Advanced Encryption Standard
ECB	Electronic Codebook Mode Encryption
CCM	Cipher Block Chaining-Message Authentication Code
PWM	Pulse Width Modulation
AAR	Accelerated Address Resolver
DMA	Direct Memory Access
CTS	Clear to Send
RTS	Request to Send
PLL	Phase Locked Loop
GPIO	General Purpose Input Output
QSPI	Quad Serial Peripheral Interface
SPI	Serial Peripheral Interface
ADC	Analogue to Digital Convertor
NFC	Near Field Communication

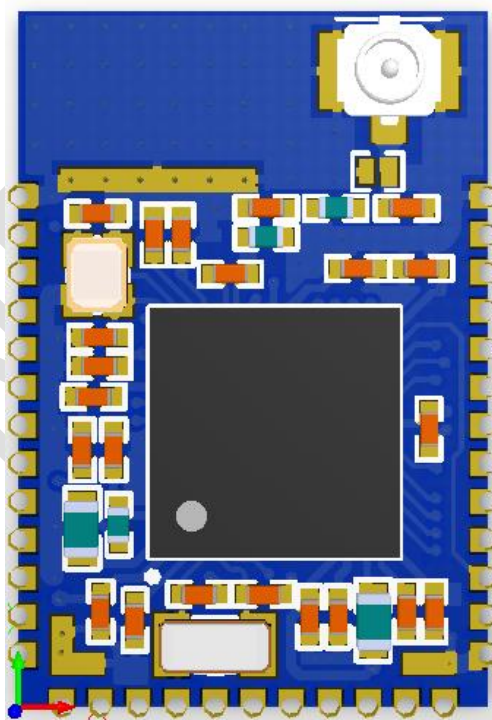
Table: Acronym Description Table



2. General Description

The ISC-nRF52840-A is a powerful, highly flexible, ultra-low power Bluetooth Low Energy module using Nordic nRF52840 SoC solution developed by Indiesemic Ltd. With an ARM Cortex M4F MCU available 1MB Flash, 256KB RAM, embedded 2.4GHz multiprotocol transceiver and an integrated u.fl connector to connect external antenna.

The module incorporates: GPIO, SPI, UART, I2C, I2S, PMD, PWM, ADC, NFC, and USB interfaces for connecting peripherals and sensors.





3. Features

<p>Bluetooth® 5.4, IEEE 802.15.4, 2.4 GHz transceiver</p>	<ul style="list-style-type: none">• -95 dBm sensitivity in 1 Mbps Bluetooth® low energy mode• -103 dBm sensitivity in 125 kbps Bluetooth® low energy mode (long range)• +8 dBm TX power (down to -20 dBm in 4 dB steps)• RSSI (1 dB resolution)• 4.8 mA peak current in TX (0 dBm)• 4.8 mA peak current in TX (0 dBm)• Supported data rates:<ul style="list-style-type: none">▪ Bluetooth® 5.3 - 2 Mbps, 1 Mbps, 500 kbps, and 125 kbps▪ IEEE 802.15.4-2006 - 250 kbps▪ Proprietary 2.4 GHz - 2 Mbps, 1 Mbps
--	--



ARM® Cortex®-M4 32-bit processor with FPU, 64 MHz	<ul style="list-style-type: none">• 212 EEMBC CoreMark score running from flash memory• 52 $\mu\text{A}/\text{MHz}$ running CoreMark from flash memory• Watch point and trace debug modules (DWT, ETM, and ITM)• Serial wire debug (SWD)
Flexible power management	<ul style="list-style-type: none">• Supply voltage range 2.0V to 3.6V (3.0V Recommended)• On-chip LDO regulators with automated low current modes• Regulated supply for external components from 1.8V to 3.3V• Automated peripheral power management• Fast wake-up using 64 MHz internal oscillator• 0.4 μA at 3 V in System OFF mode, no RAM retention• 1.5 μA at 3 V in System ON mode, no RAM retention, wake on RTC
Memory	<ul style="list-style-type: none">• 1 MB flash and 256 kB RAM
HW accelerated security	<ul style="list-style-type: none">• ARM Trust Zone Cryptocell 310 security subsystem



	<ul style="list-style-type: none">• 128-bit AES/ECB/CCM/AAR co-processor (on the fly packet encryption)
Advanced on-chip features	<ul style="list-style-type: none">• USB 2.0 full speed (12 Mbps) controller• QSPI 32 MHz interface• High-speed 32 MHz SPI• Type 2 near field communication (NFC-A) tag with wake-on field• Programmable peripheral interconnect (PPI)• 46 general purpose I/O pins• EasyDMA automated data transfer between memory and peripherals
Other features	<ul style="list-style-type: none">• 12-bit, 200ksps ADC – 8 configurable channels with programmable gain• 4 x Four channel pulse width modulator (PWM) units with EasyDMA• Audio peripherals: I2S, digital microphone interface (PDM)• 5 x 32-bit timers with counter mode



	<ul style="list-style-type: none">• Up to 4x SPI masters / 3x SPIslaves with EasyDMA• Up to 2xI2C compatible 2-wire masters/slaves• 2xUART (CTS/RTS) with EasyDMA• Quadrature decoder (QDEC)• 3x real-time counters(RTC)
--	--

CONFIDENTIAL



4. Applications

Due to varied support of protocols and stacks, the BLE module nRF52840 can support varied applications. A brief of the applications is as below:

Internet of Things	<ul style="list-style-type: none">• Smart home products• Industrial mesh networks• Smart city infrastructure
Advanced wearable	<ul style="list-style-type: none">• Connected watches• Advanced personal fitness devices• Wearable's with wireless payment• Connected health• Virtual/Augmented reality applications
Interactive entertainment devices	<ul style="list-style-type: none">• Advanced remote controls• Gaming controller
Personal area networks	<ul style="list-style-type: none">• Health/Fitness sensor and monitor device• Medical device



5. Application Block Diagram

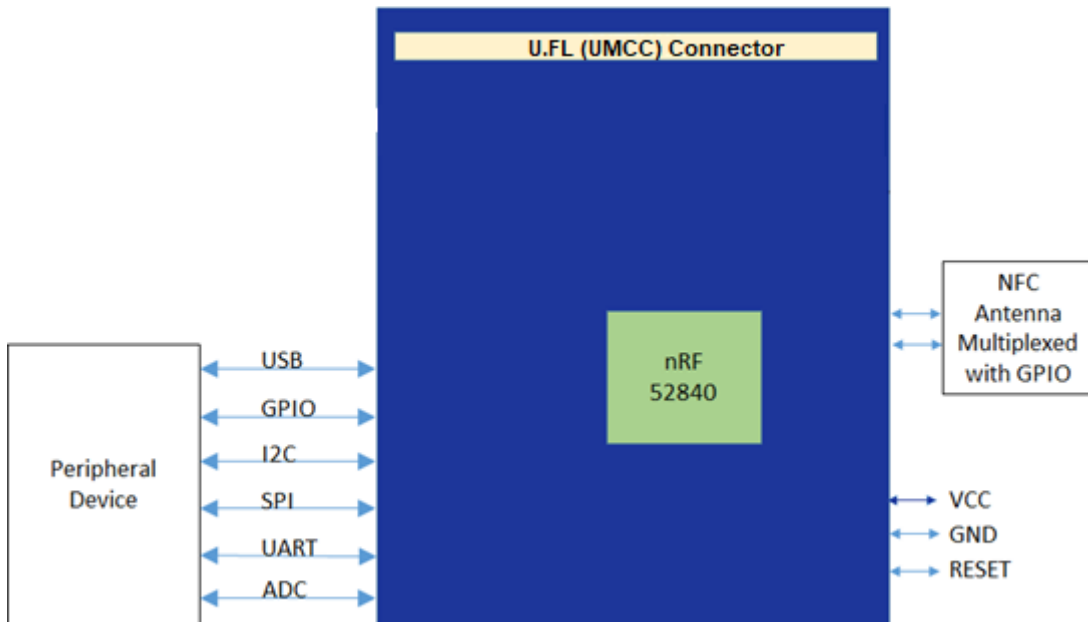


Fig. 1: Block Diagram of Module

CONFIDENTIAL



6. Module Pin-out

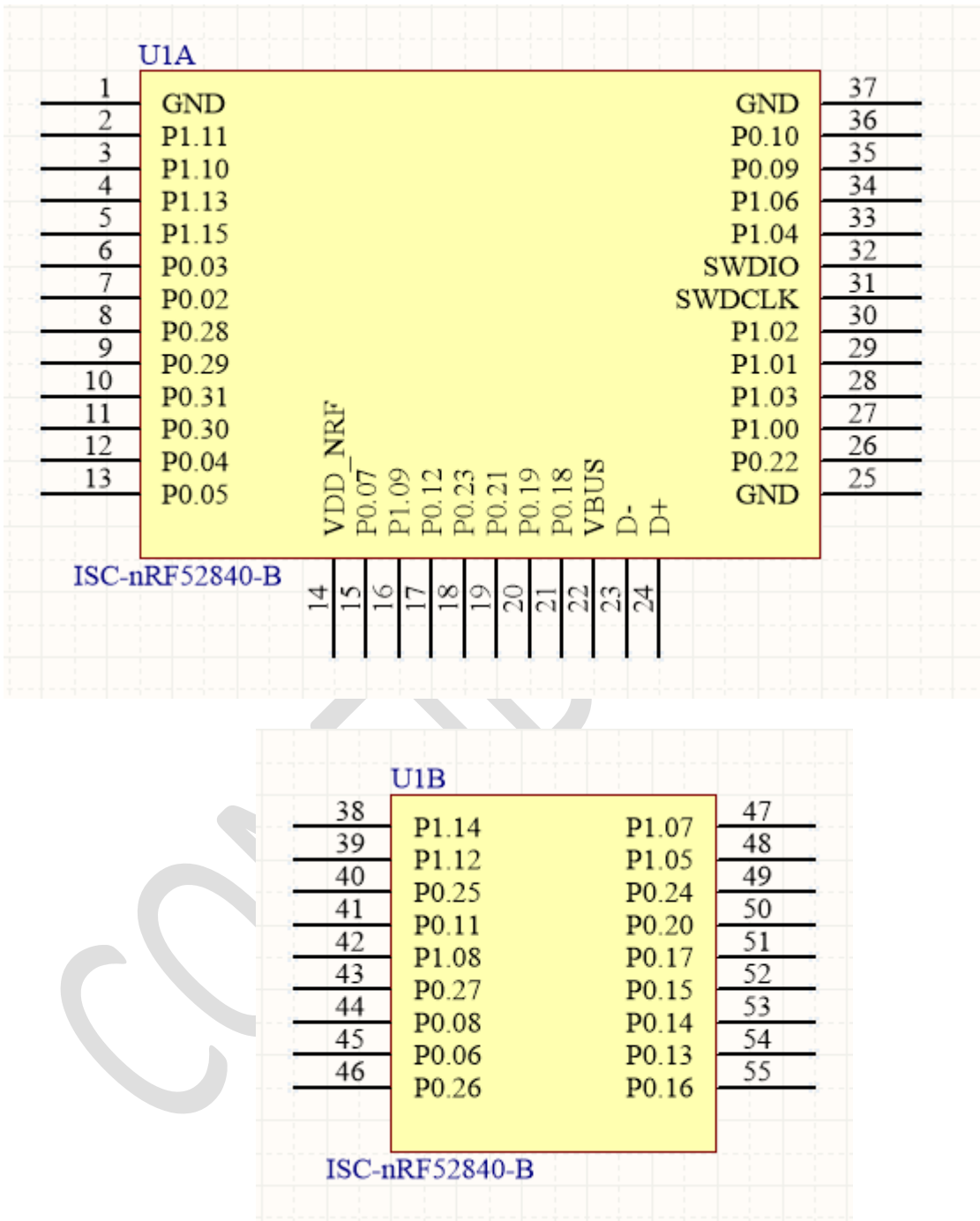


Fig. 2 : Module Pin-out



7. PCB Footprint

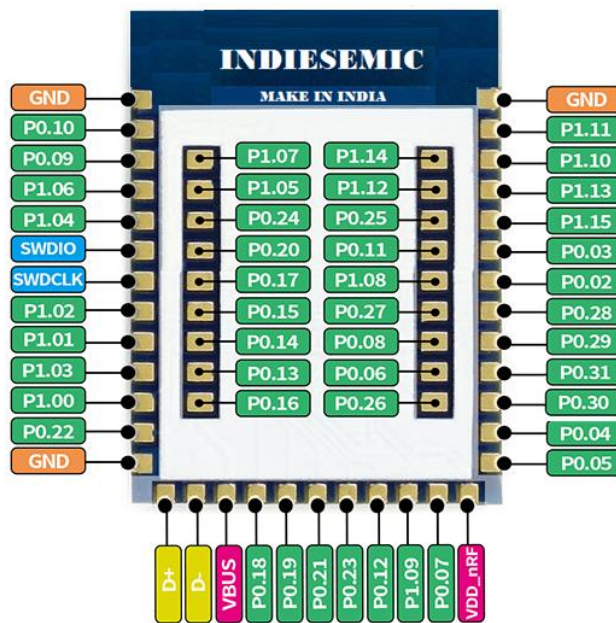
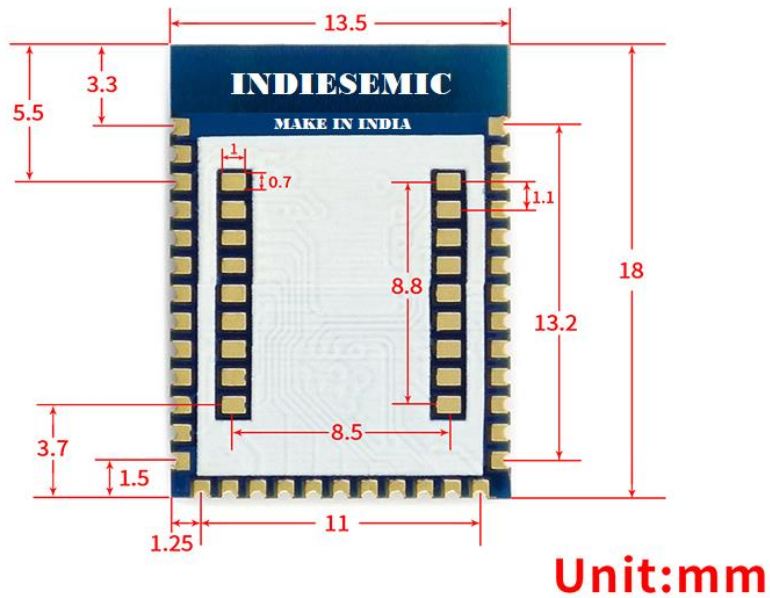


Fig. 3 : PCB Pin-out

Please contact ISC technical team for Altium / OrCAD Allegro SCH and PCB library symbol or email to sales@indiesemic.com or nikul.shah@indiesemic.com



8. Pin Description

Pin No.	Name	I/O Type	Description
1	GND	Power	Ground
2	P1.11	Digital I/O	General-Purpose I/O
3	P1.10	Digital I/O	General-Purpose I/O
4	P1.13	Digital I/O	General-Purpose I/O
5	P1.15	Digital I/O	General-Purpose I/O
6	P0.03/ AIN 1	Digital I/O	General-Purpose I/O
		Analog Input	Analog Input
7	P0.02/ AIN 0	Digital I/O	General-Purpose I/O
		Analog Input	Analog Input
8	P0.28/ AIN 4	Digital I/O	General-Purpose I/O
		Analog Input	Analog Input
9	P0.29/ AIN 5	Digital I/O	General-Purpose I/O
		Analog Input	Analog Input
10	P0.31/ AIN 7	Digital I/O	General-Purpose I/O
		Analog Input	Analog Input
11	P0.30/ AIN 6	Digital I/O	General-Purpose I/O
		Analog Input	Analog Input
12	P0.04/ AIN 2	Digital I/O	General-Purpose I/O
		Analog Input	Analog Input
13	P0.05/ AIN 3	Digital I/O	General-Purpose I/O
		Analog Input	Analog Input
14	VDD_NRF	Power	Power Supply
15	P0.07/ TRACECLK	Digital I/O	General-Purpose I/O
		Trace Clock	Trace Buffer Clock



16	P1.09/ Trace Data	Digital I/O	General-Purpose I/O
		Trace Data 3	Trace Buffer TraceData [3]
17	P0.12/ Trace Data	Digital I/O	General-Purpose I/O
		Trace Data 1	Trace Buffer TraceData [1]
18	P0.23	Digital I/O	General-Purpose I/O
19	P0.21	Digital I/O	General-Purpose I/O
20	P0.19	Digital I/O	General-Purpose I/O
21	P0.18/RESET	Digital I/O	General-Purpose I/O
		RESET	Configurable as system RESET
22	VBUS	Power	USB Reference Voltage
23	D-	Digital I/O	USB D-
24	D+	Digital I/O	USB D+
25	GND	Power	GND
26	P0.22	Digital I/O	General-Purpose I/O
27	P1.00/ TRACE DATA	Digital I/O	General-Purpose I/O
		Trace Data	Trace Buffer TraceData [0]
28	P1.03	Digital I/O	General-Purpose I/O
29	P1.01	Digital I/O	General-Purpose I/O
30	P1.02	Digital I/O	General-Purpose I/O
31	SWDCLK	Debug	Debug serial data
32	SWDIO	Debug	Serial wire debug clock input for debug and programming
33	P1.04	Digital I/O	General-Purpose I/O
34	P1.06	Digital I/O	General-Purpose I/O
35	P0.09/ NFC1	Digital I/O	General-Purpose I/O
		NFC Input	NFC Antenna Connection



36	P0.10/ NFC2	Digital I/O	General-Purpose I/O
		NFC Input	NFC Antenna Connection
37	GND	Power	Ground
38	P1.14	Digital I/O	General-Purpose I/O
39	P1.12	Digital I/O	General-Purpose I/O
40	P0.25	Digital I/O	General-Purpose I/O
41	P0.11/ TRACEDATA	Digital I/O	General-Purpose I/O
		Trace Data	Trace Buffer TraceData [2]
42	P1.08	Digital I/O	General-Purpose I/O
43	P0.27	Digital I/O	General-Purpose I/O
44	P0.08	Digital I/O	General-Purpose I/O
45	P0.06	Digital I/O	General-Purpose I/O
46	P0.26	Digital I/O	General-Purpose I/O
47	P1.07	Digital I/O	General-Purpose I/O
48	P1.05	Digital I/O	General-Purpose I/O
49	P0.24	Digital I/O	General-Purpose I/O
50	P0.20	Digital I/O	General-Purpose I/O
51	P0.17	Digital I/O	General-Purpose I/O
52	P0.15	Digital I/O	General-Purpose I/O
53	P0.14	Digital I/O	General-Purpose I/O
54	P0.13	Digital I/O	General-Purpose I/O
55	P0.16	Digital I/O	General-Purpose I/O



9. Interfaces

9.1 Power Supply

Regulated power for the ISC-nRF52840-A is required. The input voltage V_{cc} range should be 2.0V to 3.6V. Suitable decoupling must be provided by external decoupling circuitry (10 μ F and 0.1 μ F). It can reduce the noise from power supply and increase power stability.

9.2 System Function Interfaces

9.2.1. GPIOs

The general purpose I/O is organized as one port with up to 46 I/Os enabling access and control of up to 46 pins through one port. Each GPIO can be accessed individually with the following user configurable features:

- Input/output direction
- Output drive strength
- Internal pull-up and pull-down resistors
- Wake-up from high- or low-level triggers on all pins
- Trigger interrupt on all pins
- All pins can be used by the PPI task/event system; the maximum number of pins that can be interfaced through the PPI at the same time is limited by the number of GPIOTE channels



- All pins can be individually configured to carry serial interface or quadrature demodulator signals
- All pins can be configured as PWM
- There are 6 ADC/LPCOMP input in the 46 I/Os

9.2.2. Two Wire Interface

The two-wire interface can communicate with a bi-directional wired-AND bus with two lines (SCL, SDA). The protocol makes it possible to interconnect up to 127 individually addressable devices. The interface is capable of clock stretching and supporting data rates of 100 kbps, 250kbps and 400 kbps.

9.2.3. Flash Program I/Os

The module has two programmer pins, respectively SWDCLK pin and SWDIO pin. The two pin Serial Wire Debug (SWD) interface provided as a part of the Debug Access Port (DAP) offers a flexible and powerful mechanism for non-intrusive debugging of program code. Breakpoints and single stepping are part of this support.

9.2.4. Serial Peripheral Interface

The SPI interfaces enable full duplex synchronous communication between devices. They support a three-wire (SCK, MISO, MOSI) bi-directional bus with fast data transfers. The SPI Master can communicate with multiple slaves using individual chip select signals for each of the slave devices attached to a bus.



Control of chip select signals is left to the application through use of GPIO signals.

SPI Master has double buffered I/O data. The SPI Slave includes EasyDMA for data transfer directly to and from RAM allowing Slave data transfers to occur while the CPU is IDLE. The GPIOs are used for each SPI interface line and can be chosen from any GPIOs on the device and configured independently. This enables great flexibility in device pinout and efficient use of printed circuit board space and signal routing.

The SPI peripheral supports SPI mode 0, 1, 2, and 3. The module has 3 SPI ports and their properties are as below:

Instance	Master / Slave
SPI0	Master
SPI1	Master
SPIS1	Slave

9.2.5. UARTs

The Universal Asynchronous Receiver/Transmitter offers fast, full-duplex, asynchronous serial communication with built-in flow control (CTS, RTS), support in hardware up to 1 Mbps baud. Parity checking is supported. Support the following baud rate in bps unit:

1200/2400/4800/9600/14400/19200/28800/38400/57600/76800/115200.

Note: The GPIOs are used for each SPI/TWI/UART interface line and can be chosen from any GPIOs on the device and configured independently.



9.2.6. Analogue to Digital Converter

The 12-bit incremental Analogue to Digital Converter (ADC) enables sampling of up to 8 external signals through a front-end multiplexer. The ADC has configurable input and reference pre-scaling, and sample resolution (8, 10, and 12 bit).

Note: The ADC module uses the same analogue inputs as the LPCOMP module. Only one of the modules can be enabled at a time.

Module PIN Number	nRF52840 PIN Number	Description
7	P0.02/AIN0	General Purpose I/O SAADC/COMP/LPCOMP Input
6	P0.03/AIN1	General Purpose I/O SAADC/COMP/LPCOMP Input
12	P0.04/AIN2	General Purpose I/O SAADC/COMP/LPCOMP Input
13	P0.05/AIN3	General Purpose I/O SAADC/COMP/LPCOMP Input
8	P0.28/AIN4	General Purpose I/O SAADC/COMP/LPCOMP Input
9	P0.29/AIN5	General Purpose I/O SAADC/COMP/LPCOMP Input
11	P0.30/AIN6	General Purpose I/O SAADC/COMP/LPCOMP Input
10	P0.31/AIN7	General Purpose I/O SAADC/COMP/LPCOMP Input



9.2.7. Low Power Comparator (LPCOMP)

In System ON, the block can generate separate events on rising and falling edges of a signal or sample the current state of the pin as being above or below the threshold. The block can be configured to use any of the analogue inputs on the device. Additionally, the low power comparator can be used as an analogue wakeup source from System OFF or System ON. The comparator threshold can be programmed to a range of fractions of the supply voltage.

9.2.8. Reset

The reset pin of the module is in the internal pull-high state. When the reset pin of the module is input to a low level, the module will be automatically reset. After the reset pin is used, the parameters of the current setting will not be ANT.

9.2.9. NFC

The NFC peripheral (referred to as the 'NFC peripheral' from now on) supports communication signal interface type A and 106 kbps bit rate from the NFC Forum. With appropriate software, the NFC peripheral can be used to emulate the listening device NFC-A as specified by the NFC Forum.



10. Electrical Characteristics

10.1. Absolute Maximum Ratings

Parameter	Condition	Min.	Typical	Max.	Unit
Storage Temperature		-40		125	°C
ESD Protection	VESD			2000	V
Supply Voltage	VCC, VBus	-0.3		3.9	V
Voltage on Any I/O Pin		-0.3		3.63	V

Table : Maximum Ratings

10.2. Recommended Operating Ratings

Parameter	Symbol	Min.	Typical	Max.	Unit
Operating Temperature	TA	-40	25	85	°C
Power Supply	VCC	1.7	3.3	3.6	V
Input Low Voltage	VIL	0		0.3xVC	V
Input High Voltage	VIH	0.7xVC		VCC	V

Table : Operating Condition



10.3. Current Ratings

System State	TX Peak @ 4dBm	RX Peak	Sleep Mode (Average)	Idle Mode (Average)
Current (peak) @ 3V	7.5mA	5.4 mA	4 uA	4 uA

Table: Current Ratings

CONFIDENTIAL