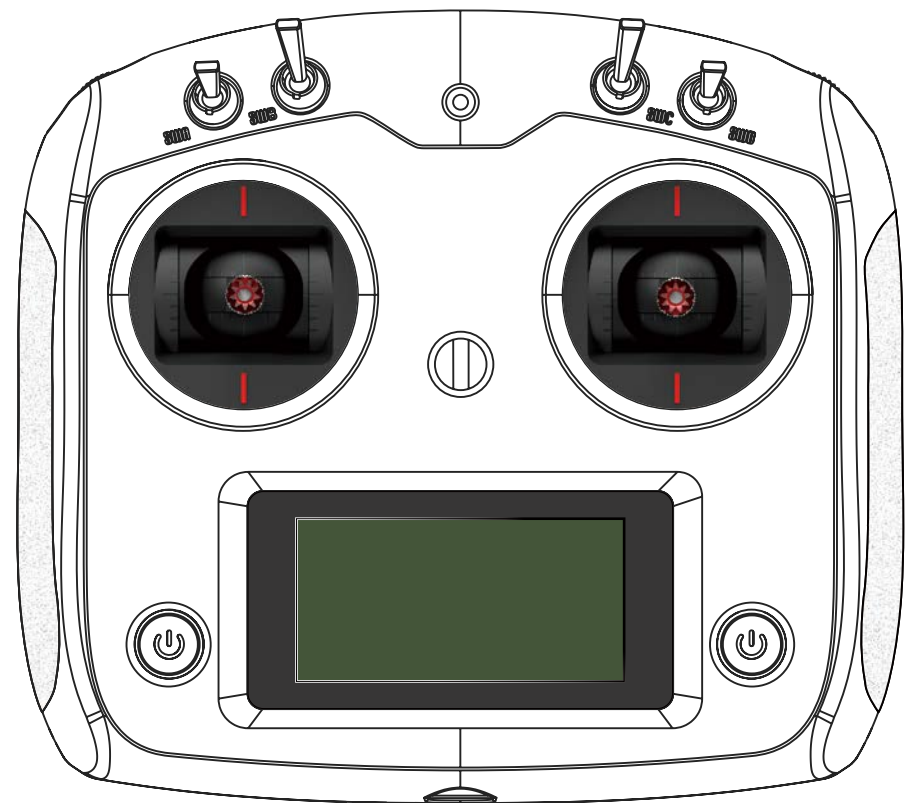


# Quick Start Guide 快速操作指南

# FS-i6S



感谢您购买我们公司的产品！欲知更多产品信息，请浏览以下官方网站：[www.flysky-cn.com](http://www.flysky-cn.com)。如果您在使用中遇到任何问题，请先查阅发射机帮助菜单或使用说明书。如果问题仍未得到解决，请直接联系当地经销商或者联系客服人员：[flyskycr@flysky-cn.net](mailto:flyskycr@flysky-cn.net)

### 注意事项！

开始操作前请务必阅读以下安全信息！

- 请不要在夜晚或雷雨天气使用本产品，恶劣的天气环境有可能导致遥控设备失灵。
- 请不要在能见度有限的情况下使用本产品。
- 请不要在雨雪或有水的地方使用本产品。如果有液体进入到系统内部，可能会导致运行不稳定或设备失灵。
- 信号干扰可能导致设备失控。为保证您和他人的安全，请不要在以下地点使用本产品：



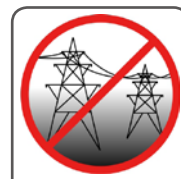
基站附近或其他无线电话活跃的地方



人多的地方或道路附近



有客船的水域

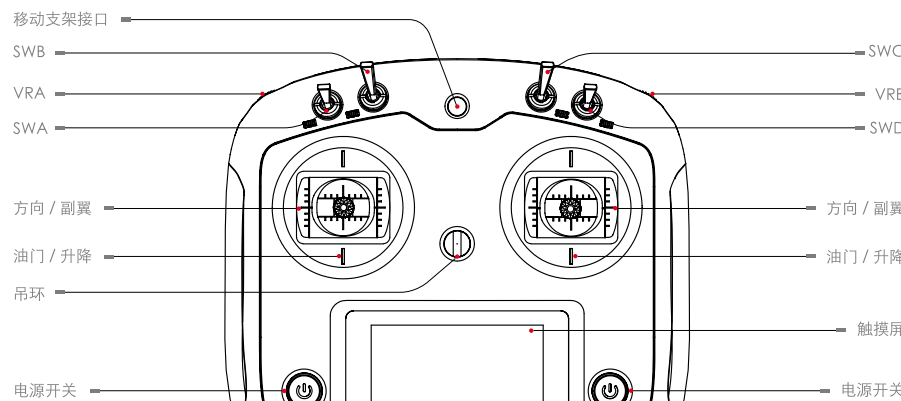


高压电线或通信广播天线附近

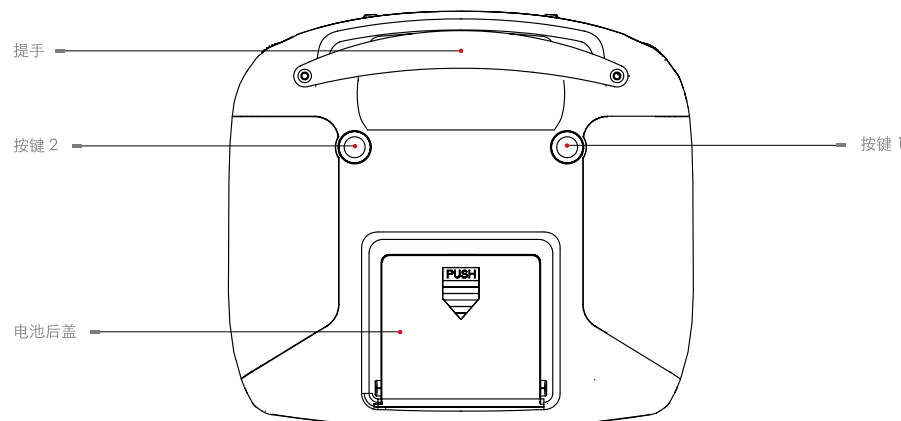
- 当你感到疲倦、不舒服，或在摄入酒精或导致麻醉或兴奋的药物后，不要操作本产品，否则可能对自己或他人造成严重的伤害。
- 2.4GHz 无线电波段完全不同于之前所使用的低频无线电波段。使用时请确保模型产品在您的视线范围内飞行，大的障碍物将会阻断无线电频率信号从而导致遥控失灵模型失控。
- 在使用过程中，严禁紧握发射机天线，否则将会大大减弱无线电传播信号的质量和强度，导致遥控失灵模型失控。
- 在操作或使用模型后，请勿触摸任何可能发热的部位，如发动机、电机、定速设定等。这些部件可能非常热，容易造成严重的烧伤。
- 遥控设备使用不恰当可能导致操作者或他人严重受伤，甚至死亡。为保证您和设备的安全，请仔细阅读使用说明书并按照要求进行操作。
- 使用前必须确保本产品与模型安装正确，否则可能导致模型发生严重损坏。
- 关闭时，请务必先关闭接收机电源，然后关闭发射机。如果关闭发射机电源时接收机仍然在工作，将有可能导致遥控设备失控或者引擎继续工作而引发事故。
- 操控时，请先确认模型所有舵机的动作方向与操控方向一致。如果不一致，请调整好正确的方向。
- 当遥控距离持续较远时，有发生失控的可能。请适当缩短遥控的距离。

### 发射机概览

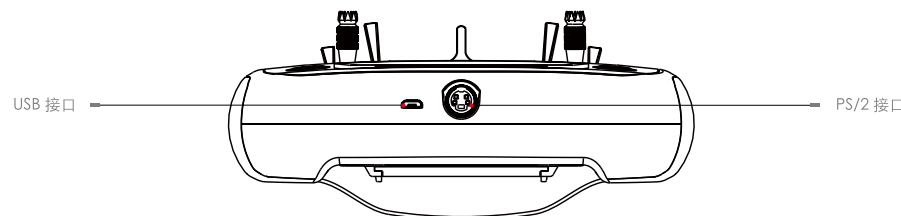
#### ► 前视图：



#### ► 后视图：



#### ► 底视图：



### 基本操作

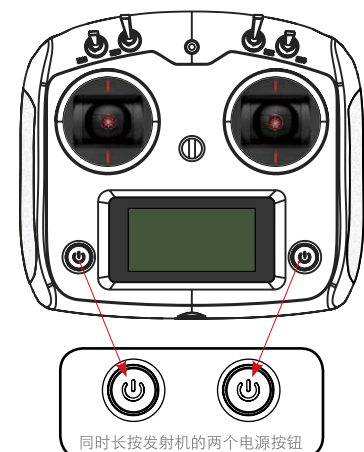
#### ► 电池安装

1. 打开电池仓盖。
2. 将 4 个电量充足的 AA 电池装入电池仓内，确保电池上的金属端子与电池仓内的金属端子相接。
3. 盖好电池仓盖。

#### ► 开机

1. 检查系统状态，确保电池有电，以及接收机未开机并且安装正确。
2. 确保所有开关和摇杆处于安全位置。
3. 同时长按发射机的两个电源按钮，当发射机显示屏亮起时，表示已开机。
4. 为接收机连接电源。

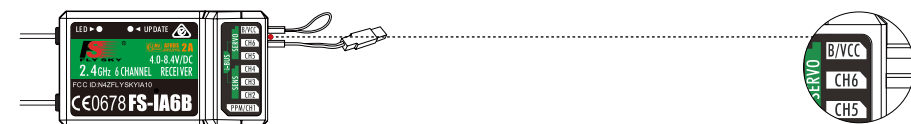
- ! 如果有开关未拨动到最高档位或油门摇杆（当油门摇杆为不回中时）没有打到最低位置，系统会弹出“Place all switches in their up position and lower the throttle”的提示，按照要求将开关或摇杆调整到正确位置后方可正常开启发射机。



#### ► 对码

本发射机和接收机在出厂前已对码成功。如果您要使用其他的发射机或接收机，请按照如下步骤进行对码：

1. 打开发射机电源，点击 图标进入菜单界面，选择 [RX bind]，发射机显示“Binding to RX.....”，表示发射机进入对码状态。
2. 将对码线连接到接收机上的 BIND/VCC 接口。
3. 将电源线连接到接收机上任意其他接口。



- 对码成功后，发射机显示“Bind ok!”并自动退出对码界面。
- 4. 将对码线和电源从接收机上断开。然后重新将电源线连接到 B/VCC 接口。
- 5. 检查发射机、接收机、模型是否正常工作。如有异常，重复以上步骤重新对码。

#### ► 关机

1. 断开接收机电源。
2. 同时长按发射机的两个电源按钮，发射机显示屏黑屏后表示发射机电源关闭。

- ! 关闭前，请务必先断开接收机电源，然后关闭发射机。如果强行关闭发射机，将有可能导致遥控设备失控或者引擎继续工作而引发事故。

### 规格参数

通道个数	10
适合机种	多轴飞行器
频率范围	2.4055-2.475 GHz
波段宽度	500 KHz
波段个数	140
发射功率	不高于 20 dBm
2.4GHz 模式	AFHDS 2A
编码方式	GFSK
通道分辨率	4096 级
低电压报警	低于 4.2V 时
充电接口	无
输入电源	4.2V-6.0V
机身重量	410g
外形尺寸（长 x 宽 x 高）	179mm x 81mm x 161mm
外观颜色	白色
认证	CE0678, FCC ID: N4ZFLYSKYI6S



Thank you for purchasing our product! To find out more about our products, visit our website at [www.flysky-cn.com](http://www.flysky-cn.com). If you encounter any problem during use, refer to the transmitter's on-board help files or instruction manual first. If the problem persists, contact your local dealer or contact us by email at: [flyskycn@flysky-cn.net](mailto:flyskycn@flysky-cn.net)

### Precautions !

Read the safety messages listed below before operation!

- Do not use the product at night or during bad weather conditions, like rain or thunderstorms. It can cause erratic operation or loss of control.
- Do not use the product when visibility is limited.
- Do not use the product in rain or snow. Any exposure to moisture (water or snow) may cause erratic operation or loss of control.
- Interference may cause loss of control. To ensure the safety of you and others, do not operate in the following places:



Near any site where other radio control activity may occur



Near people or roads



On any pond/lake when passenger boats are present

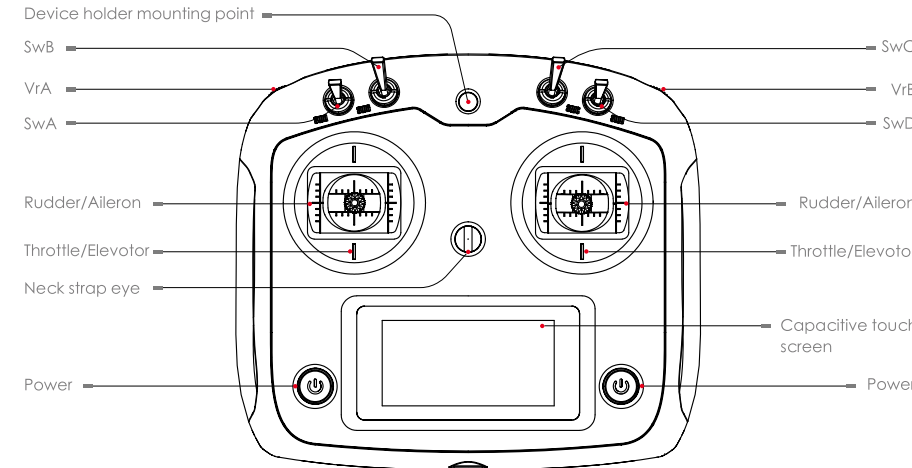


Near power lines or communication broadcasting antennas

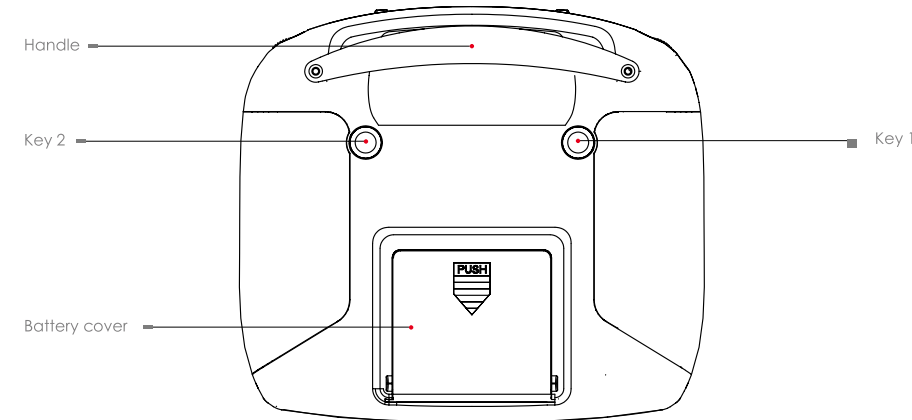
- Do not use this product when you are tired, uncomfortable, or under the influence of alcohol or drugs. Doing so may cause serious injury to yourself or others.
- The 2.4GHz radio band is limited to line of sight. Always keep your model in sight as a large object can block the RF signal and lead to loss of control.
- Never grip the transmitter antenna during operation. It significantly degrades signal quality and strength and may cause loss of control.
- Do not touch any part of the model that may generate heat during operation, or immediately after use. The engine, motor or speed control, may be very hot and can cause serious burns.
- Misuse of this product may lead to serious injury or death. To ensure the safety of you and your equipment, read this manual and follow the instructions.
- Make sure the product is properly installed in your model. Failure to do so may result in serious injury.
- Make sure to disconnect the receiver battery before turning off the transmitter. Failure to do so may lead to unintended operation and cause an accident.
- Ensure that all motors operate in the correct direction. If not, adjust the direction first.
- Make sure the model stays within the transmitters range. Otherwise, it would cause loss of control.

### Transmitter Overview

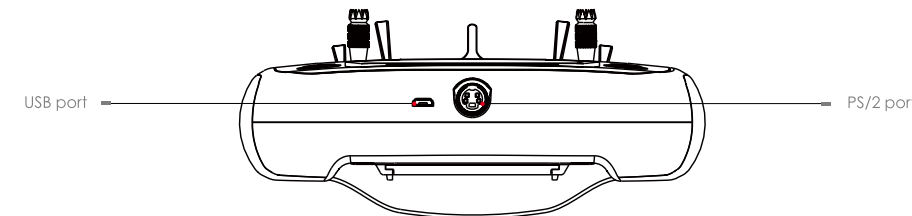
#### ► Front view:



#### ► Rear view:



#### ► Bottom view:



### Basic Operations

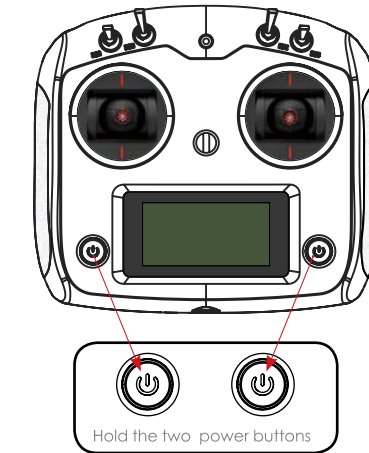
#### ► Install the Battery

- Remove the battery compartment cover.
- Insert 4 fully-charged AA batteries into the compartment. Make sure that the batteries make good contact with the battery compartments' contacts, with the correct polarity.
- Replace the battery compartment cover.

#### ► Power On

- Make sure that the receiver is powered off and correctly installed with a fully charged battery.
- Make sure the the throttle and switches are all in their safety positions.
- Hold the power buttons until screen lights up.
- Connect the receivers' power supply.

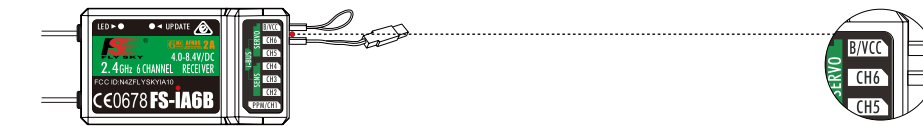
! If the switches are not in their highest positions and the throttle is not at its lowest position (if the throttle is non-self-centering), the system will display "Place all switches in their up position and lower the throttle". Once the switches and throttle are in their correct positions the system will finish its startup sequence.



#### ► Bind with Receiver

The transmitter and receiver have been pre-bound before delivery. If you are using another transmitter or receiver, follow the steps below to bind the transmitter and receiver:

- Turn the transmitter on, press icon to enter the system menu, scroll down and select [RX bind]. The transmitter will then display "Binding to.....".
- Connect the bind cable to the B/VCC port of the receiver.
- Connect the power to any other port.



- After successfully binding the transmitter will display "Bind ok !" then automatically return to the previous menu.
- Remove the bind and power cable from the receiver. Then connect the power cable to the B/VCC port.
  - Check the servos' operation. If anything does not work as expected, restart this procedure from the beginning.

#### ► Power off

- Disconnect the receiver power.
- Hold the transmitter's power buttons to turn off the transmitter.

! Make sure to disconnect the receiver's power before turning off the transmitter. If the receiver is still on, the system will prompt "Turn off the receiver". If you turn off the transmitter forcefully (by removing the battery), it may lead to unintended operation and cause an accident.

### Specifications

Channels	10
Model type	Quadcopter
RF range	2.4055 - 2.475 GHz
Bandwidth	500 KHz
RF channel	140
RF power	Less than 20 dBm
2.4GHz system	AFHDS 2A
Modulation type	GFSK
Stick resolution	4096
Low voltage alarm	Yes (lower than 4.2V)
PS2/USB Port	Yes
Power input	4.2V - 6.0V
Weight	410g
Size (Length x Width x Height)	179mm x 81mm x 161mm
Color	White
Certificate	CE0678, FCC ID: N4ZFLYSKYI6S



## Digital Proportional Radio Control System

CE0678 FCC ID : N4ZFLYSKYI6S

[Http://www.flysky-cn.com](http://www.flysky-cn.com)

Copyright © 2016 Flysky RC model technology co., Ltd

Release date: 2016-10-26