

XA2212

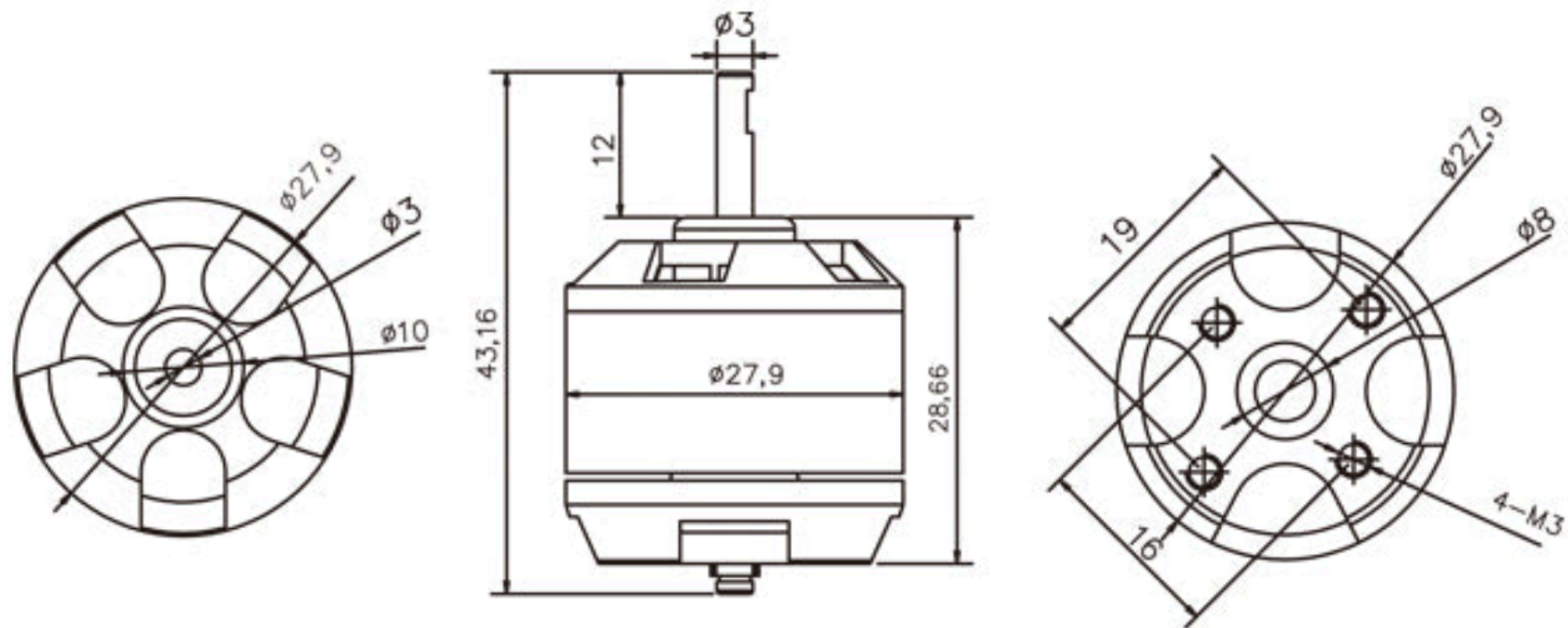
High quality bearing, imported silicon steel coils,
and high quality magnets ensuring longer life
and better performance

100% balanced, less energy lost from vibration

63 steps of quality inspection, ensuring
that every motor you have on your hand
is qualified and safe



Price counts!
But quality is the priority!



XA2212

XA 2212 Brushless motor test record

Motor type	The voltage (V)	Prop. Size	Current (A)	Thrust (G)	Power (W)	Efficiency (G/W)	RPM
XA 2212 820KV	12	APC 11*4.7	12	830	144	5.8	5720
	8	APC 11*4.7	7.3	500	58.4	8.6	4650
XA 2212 980KV	12	APC 10*4.7	15.1	880	181.2	4.9	6960
	8	APC 10*4.7	9.5	550	76	7.2	5470
	12	APC 9*6	12.3	730	147.6	4.9	8220
	8	APC 9*6	7.1	400	56.8	7.0	6090
XA 2212 1400KV	12	APC 8*4	16.4	930	196.8	4.7	12020
	8	APC 8*4	9.1	500	72.8	6.9	8900
	12	APC 8*6	20.6	940	247.2	3.8	10750
	8	APC 8*6	11.9	520	95.2	5.5	8250



XA2212