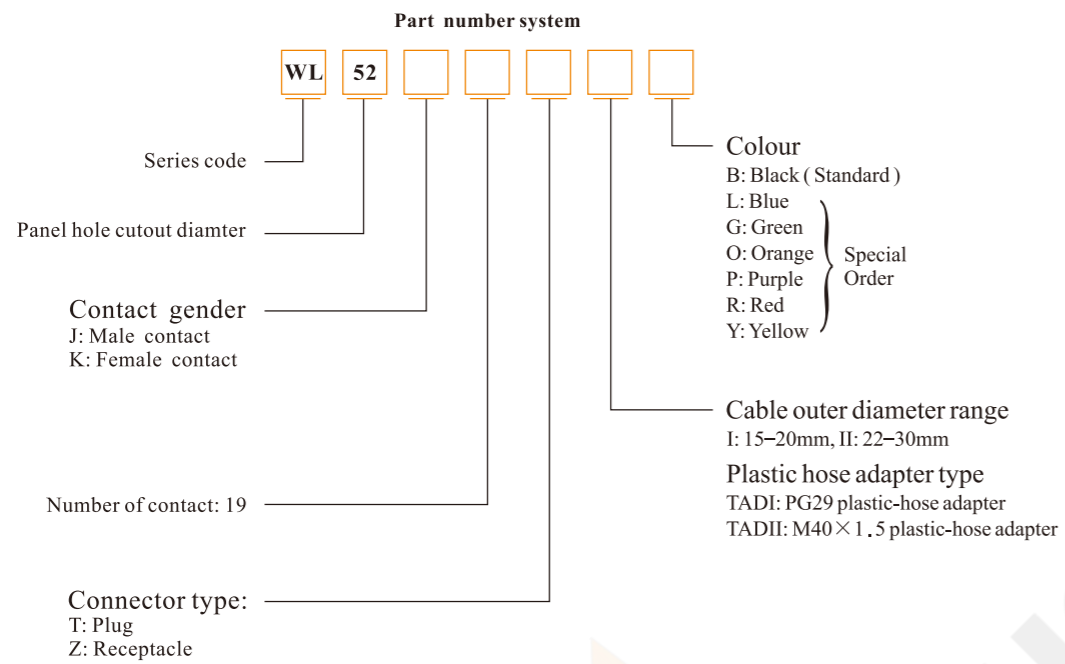


IP66/67



● WL52 Series



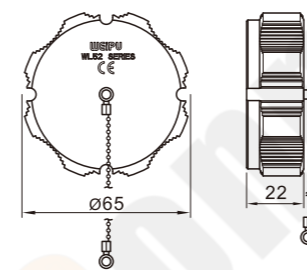
Material and spec

| | |
|-----------------------|--|
| Coupling | Threaded |
| Shell | Anodized aluminium |
| Insert material | PPS, fire resistance: V-0, max temperature 260°C |
| Contact material | Brass with gold plating |
| IP rating | IP66/67 |
| Termination | Solder |
| Mating cycle | 500 |
| Temperature range | -40°C ~ +85°C |
| Insulation resistance | 2000 MΩ |

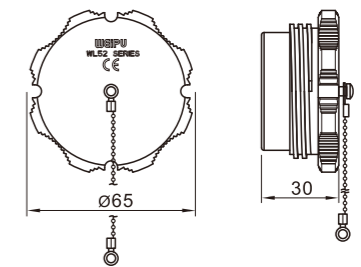


● Aluminium cap for female-contact connector

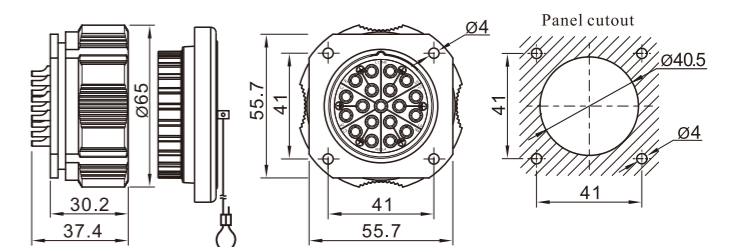
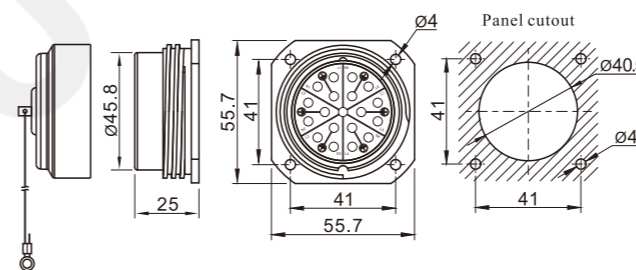
● Aluminium cap for male-contact connector



● Square flange female contact receptacle



● Square flange male contact receptacle

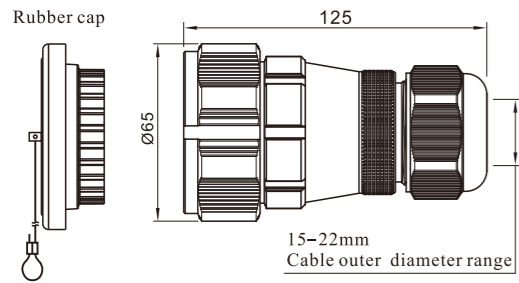


Solder contact spec

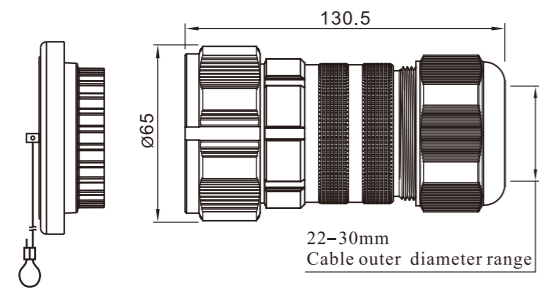
| Number of contact | 19 |
|----------------------------------|------------------------|
| Male contact face view | |
| Rated current (A) | 25 |
| Contact diameter | ø3 |
| Rated voltage | 700 (DC.V), 500 (AC.V) |
| Test voltage(AC.V) 1 min | 2500 |
| Contact resistance (MΩ) | 1 |
| Wire size (mm ² /AWG) | ≤6/9 |



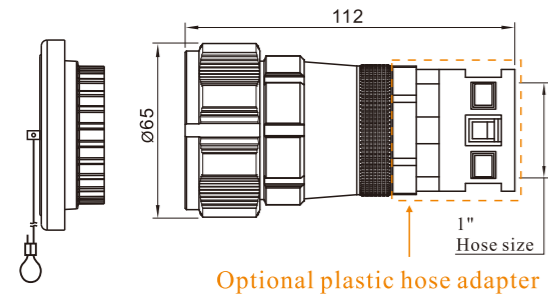
● Male-contact plug with clamping-nut: WL52J19T IP67



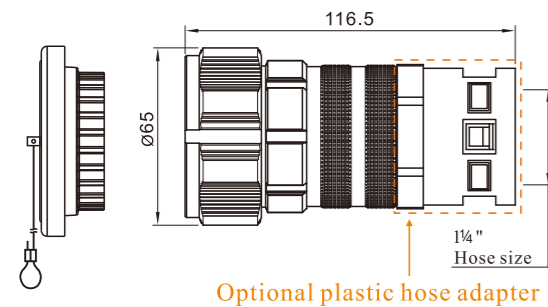
● Male-contact plug with clamping-nut 2: WL52J19TII IP67



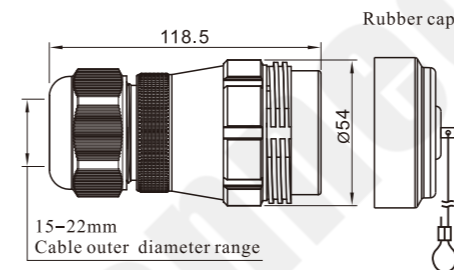
● Male-contact plug for PG29 Plastic hose adapter: WL52J19TADI IP66



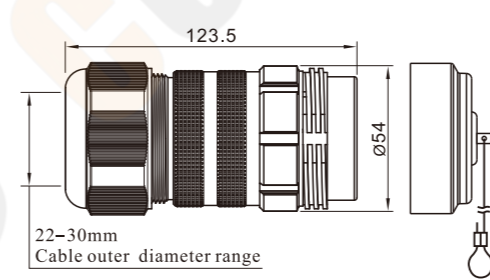
● Male-contact plug for M40 × 1.5 plastic hose adapter: WL52J19TAD II IP66



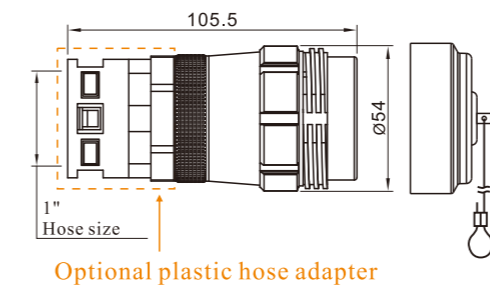
● Female-contact connector with clamping-nut: WL52K19T IP67



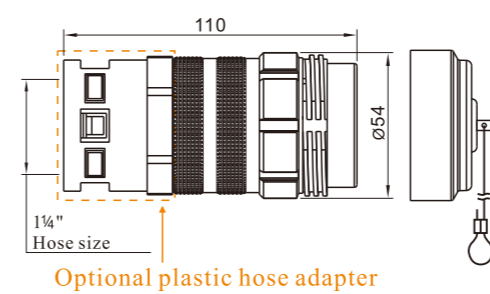
● Female-contact connector with clamping-nut 2: WL52K19TII IP67



● Female-contact connector for PG29 Plastic hose adapter: WL52K19TADI IP66

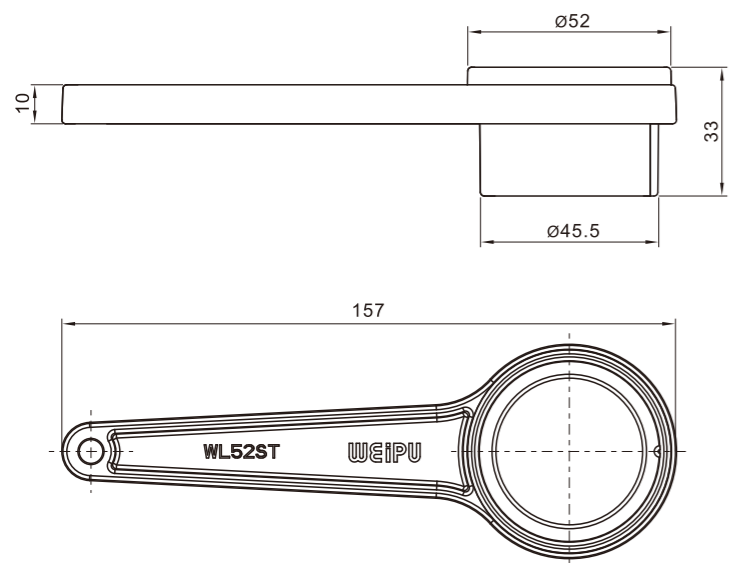


● Female-contact connector for M40 × 1.5 Plastic hose adapter: WL52K19TAD II IP66

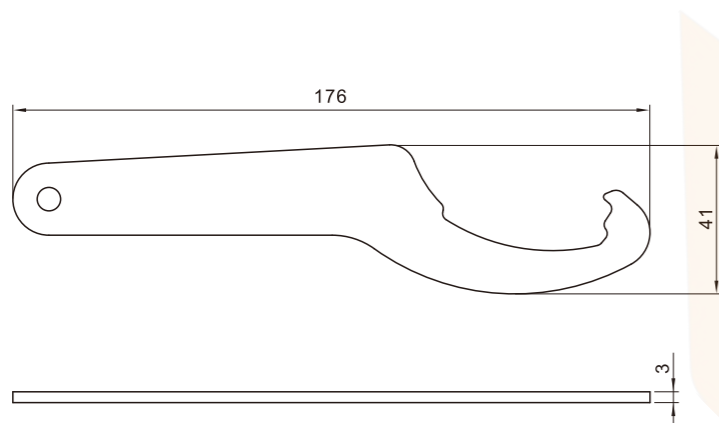




● Wrench 1: WL52ST



● Wrench 2: WL52SY



Instruction

Male-contact connector WL52ST Female-contact connector

