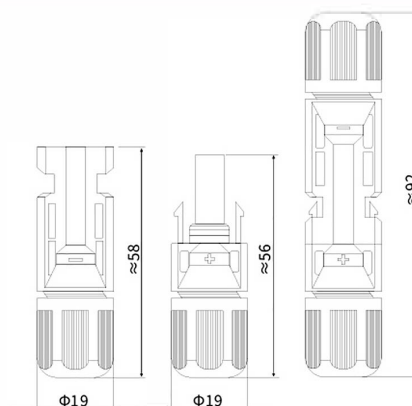


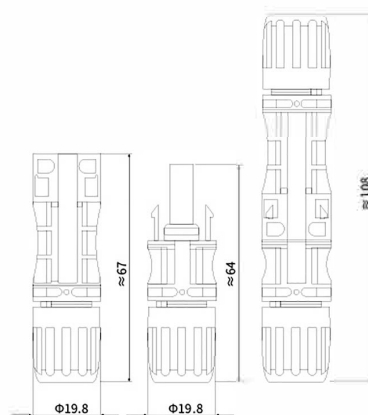
### 太阳能直流连接器 PV-THC-01 Solar DC Connector



额定电流: 30A 或 50A  
 额定电压: 1000VDC(IEC)DC(UL)  
 环境温度范围: -40°C ~+90°C (ec)  
 防护级别: IP67 防护等级 IP2X 防护等级  
 插头连接器的接触电阻: 0.5mΩ  
 接触材料: 紫铜, 镀锡  
 连接方式: 嵌入式 (nur/only MC4)  
 阻燃等级: UL94-HB/UL94-VO  
 电缆尺寸: 2.5-6mm<sup>2</sup>

Rated current: 30A or 50A  
 Rated voltage: 1000VDC(IEC) DC(UL)  
 Ambient temperature range: -40°C ~+90°C (ec)  
 Degree of protection: IP67 mated IP2X unmated  
 Contact resistance of plug connectors: 0.5mΩ  
 Contact material: Copper, tin plated  
 Locking system plug connectors: Snap-in (nur/only MC4)  
 Flame class: UL94-HB/UL94-VO  
 Cable size: 2.5-6mm<sup>2</sup>

### 太阳能直流连接器 PV-THC-02 Solar DC Connector

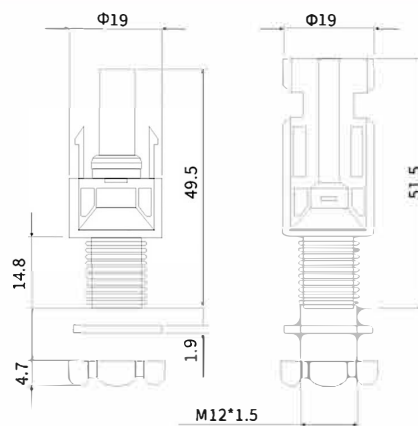


额定电流: 30A 或 50A  
 额定电压: 1500VDC(IEC)DC(UL)  
 环境温度范围: -40°C ~+90°C (ec)  
 防护级别: IP67 防护等级 IP2X 防护等级  
 插头连接器的接触电阻: 0.5mΩ  
 接触材料: 紫铜, 镀锡  
 连接方式: 嵌入式 (nur/only MC4)  
 阻燃等级: UL94-HB/UL94-VO  
 电缆尺寸: 2.5-10mm<sup>2</sup>

Rated current: 30A or 50A  
 Rated voltage: 1500VDC(IEC) DC(UL)  
 Ambient temperature range: -40°C ~+90°C (ec)  
 Degree of protection: IP67 mated IP2X unmated  
 Contact resistance of plug connectors: 0.5mΩ  
 Contact material: Copper, tin plated  
 Locking system plug connectors: Snap-in (nur/only MC4)  
 Flame class: UL94-HB/UL94-VO  
 Cable size: 2.5-10mm<sup>2</sup>

## 光伏连接器 PV connector

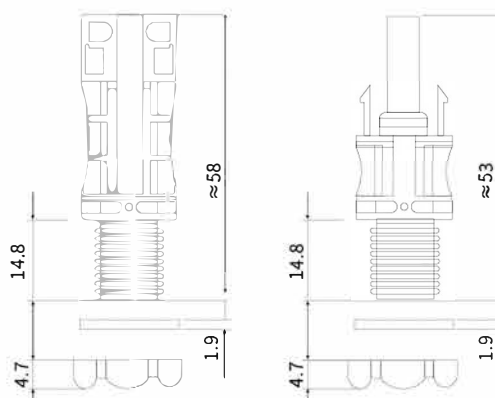
### 太阳能直流连接器 PV-THC-04 Solar DC Connector



额定电流: 30A 或 50A  
 额定电压: 1000VDC(IEC)DC(UL)  
 环境温度范围: -40°C ~+90°C (ec)  
 防护级别: IP67 防护等级 IP2X 防护等级  
 插头连接器的接触电阻: 0.5mΩ  
 接触材料: 紫铜, 镀锡  
 连接方式: 嵌入式 (nur/only MC4)  
 阻燃等级: UL94-HB/UL94-VO  
 电缆尺寸: 2.5-6mm<sup>2</sup>

Rated current: 30A or 50A  
 Rated voltage: 1000VDC(IEC) DC(UL)  
 Ambient temperature range: -40°C ~+90°C (ec)  
 Degree of protection: IP67 mated IP2X unmated  
 Contact resistance of plug connectors: 0.5mΩ  
 Contact material: Copper, tin plated  
 Locking system plug connectors: Snap-in (nur/only MC4)  
 Flame class: UL94-HB/UL94-VO  
 Cable size: 2.5-6mm<sup>2</sup>

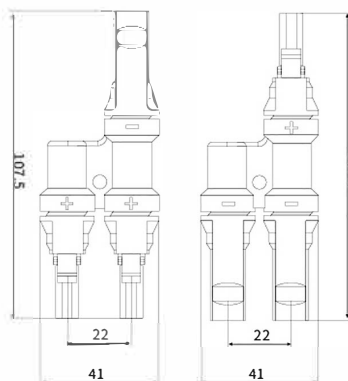
### 太阳能直流连接器 PV-THC-03 Solar DC Connector



额定电流: 30A 或 50A  
 额定电压: 1500VDC(IEC)DC(UL)  
 环境温度范围: -40°C ~+90°C (ec)  
 防护级别: IP67 防护等级 IP2X 防护等级  
 插头连接器的接触电阻: 0.5mΩ  
 接触材料: 紫铜, 镀锡  
 连接方式: 嵌入式 (nur/only MC4)  
 阻燃等级: UL94-HB/UL94-VO  
 电缆尺寸: 2.5-10mm<sup>2</sup>

Rated current: 30A or 50A  
 Rated voltage: 1500VDC(IEC) DC(UL)  
 Ambient temperature range: -40°C ~+90°C (ec)  
 Degree of protection: IP67 mated IP2X unmated  
 Contact resistance of plug connectors: 0.5mΩ  
 Contact material: Copper, tin plated  
 Locking system plug connectors: Snap-in (nur/only MC4)  
 Flame class: UL94-HB/UL94-VO  
 Cable size: 2.5-10mm<sup>2</sup>

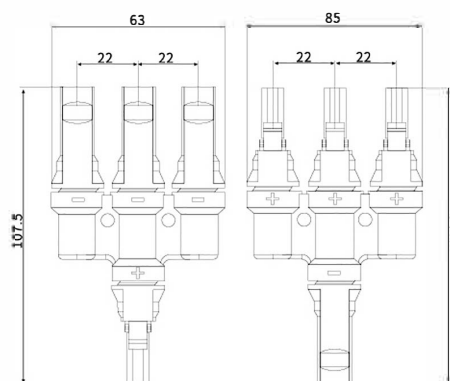
### 分支连接器 Branch connector PV- THC-T1/2



额定电流: 50A  
 额定电压: 1500VDC(IEC)800VDC(UL)  
 环境温度范围: -40°C ~+90°C (ec)  
 防护级别: IP67 防护等级 IP2X 防护等级  
 插头连接器的接触电阻 :0.5mΩ  
 接触材料: 紫铜, 镀锡  
 连接方式: 嵌入式 (nur/onlyMC4)  
 阻燃等级 :UL94-HB/UL94-VO  
 电缆尺寸 : 2.5mm<sup>2</sup>、4mm<sup>2</sup>、6mm<sup>2</sup>  
 二极管 / 熔丝型: 肖特基二极管 / 光伏熔丝

Rated current:50A  
 Rated voltage:1500VDC(IEC) 800VDC(UL)  
 Ambient temperature range:-40°C ~+90°C (ec)  
 Degree of protection:IP67mated IP2X unmated  
 Contact resistance of plug connectors:0.5mΩ  
 Contact material:Copper, tin plated  
 Locking system plug connectors:Snap-in(nur/only MC4)  
 Flame class:UL94-HB/UL94-VO  
 Cable size:2.5mm<sup>2</sup>、4mm<sup>2</sup>、6mm<sup>2</sup>  
 Diode/Fuse Type: Schottky Diode/PV Fuse

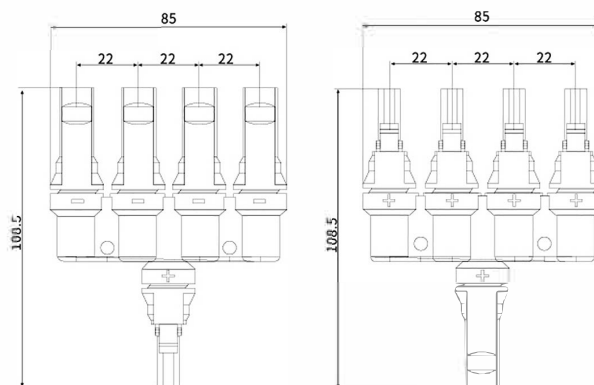
### 分支连接器 Branch connector PV- THC-T1/3



额定电流: 50A  
 额定电压: 1500VDC(IEC)800VDC(UL)  
 环境温度范围: -40°C ~+90°C (ec)  
 防护级别: IP67 防护等级 IP2X 防护等级  
 插头连接器的接触电阻 :0.5mΩ  
 接触材料: 紫铜, 镀锡  
 连接方式: 嵌入式 (nur/onlyMC4)  
 阻燃等级 :UL94-HB/UL94-VO  
 电缆尺寸 : 2.5mm<sup>2</sup>、4mm<sup>2</sup>、6mm<sup>2</sup>  
 二极管 / 熔丝型: 肖特基二极管 / 光伏熔丝

Rated current:50A  
 Rated voltage:1500VDC(IEC) 800VDC(UL)  
 Ambient temperature range:-40°C ~+90°C (ec)  
 Degree of protection:IP67mated IP2X unmated  
 Contact resistance of plug connectors:0.5mΩ  
 Contact material:Copper, tin plated  
 Locking system plug connectors:Snap-in(nur/only MC4)  
 Flame class:UL94-HB/UL94-VO  
 Cable size:2.5mm<sup>2</sup>、4mm<sup>2</sup>、6mm<sup>2</sup>  
 Diode/Fuse Type: Schottky Diode/PV Fuse

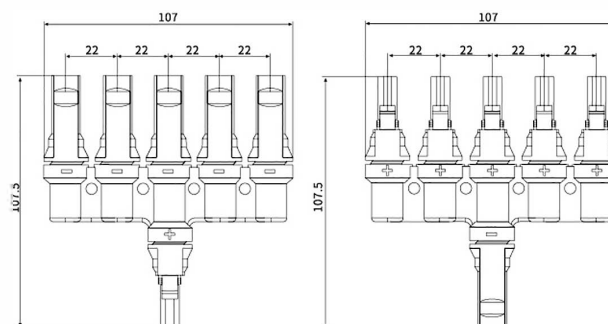
分支连接器 Branch connector PV- THC-T1/4



额定电流: 50A  
 额定电压: 1500VDC(IEC)800DC(UL)  
 环境温度范围: -40°C ~+90°C (ec)  
 防护级别: IP67 防护等级 IP2X 防护等级  
 插头连接器的接触电阻: 0.5mΩ  
 接触材料: 紫铜, 镀锡  
 连接方式: 嵌入式 (nur/only MC4)  
 阻燃等级: UL94-HB/UL94-VO  
 电缆尺寸: 2.5mm<sup>2</sup>、4mm<sup>2</sup>、6mm<sup>2</sup>  
 二极管 / 熔丝型: 肖特基二极管 / 光伏熔丝

Rated current: 50A  
 Rated voltage: 1500VDC(IEC) 800DC(UL)  
 Ambient temperature range: -40°C ~+90°C (ec)  
 Degree of protection: IP67 mated IP2X unmated  
 Contact resistance of plug connectors: 0.5mΩ  
 Contact material: Copper, tin plated  
 Locking system plug connectors: Snap-in (nur/only MC4)  
 Flame class: UL94-HB/UL94-VO  
 Cable size: 2.5mm<sup>2</sup>、4mm<sup>2</sup>、6mm<sup>2</sup>  
 Diode/Fuse Type: Schottky Diode/PV Fuse

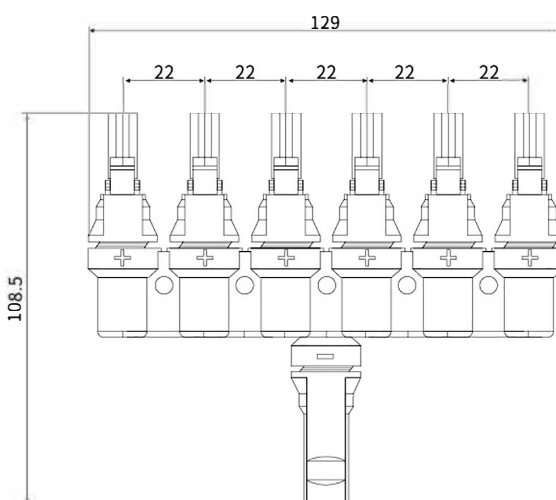
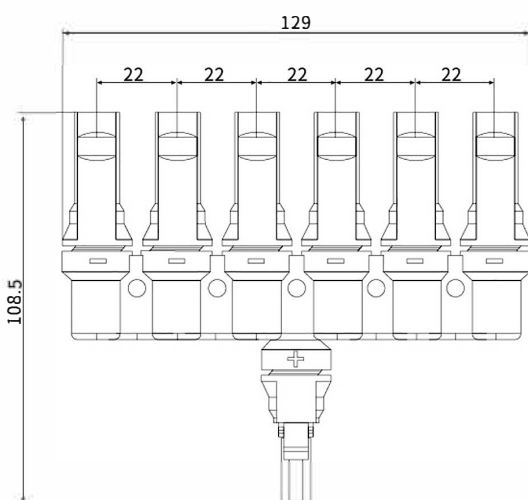
分支连接器 Branch connector PV- THC-T1/5



额定电流: 50A  
 额定电压: 1500VDC(IEC)800DC(UL)  
 环境温度范围: -40°C ~+90°C (ec)  
 防护级别: IP67 防护等级 IP2X 防护等级  
 插头连接器的接触电阻: 0.5mΩ  
 接触材料: 紫铜, 镀锡  
 连接方式: 嵌入式 (nur/only MC4)  
 阻燃等级: UL94-HB/UL94-VO  
 电缆尺寸: 2.5mm<sup>2</sup>、4mm<sup>2</sup>、6mm<sup>2</sup>  
 二极管 / 熔丝型: 肖特基二极管 / 光伏熔丝

Rated current: 50A  
 Rated voltage: 1500VDC(IEC) 800DC(UL)  
 Ambient temperature range: -40°C ~+90°C (ec)  
 Degree of protection: IP67 mated IP2X unmated  
 Contact resistance of plug connectors: 0.5mΩ  
 Contact material: Copper, tin plated  
 Locking system plug connectors: Snap-in (nur/only MC4)  
 Flame class: UL94-HB/UL94-VO  
 Cable size: 2.5mm<sup>2</sup>、4mm<sup>2</sup>、6mm<sup>2</sup>  
 Diode/Fuse Type: Schottky Diode/PV Fuse

分支连接器 Branch connector PV- THC-T1/6



额定电流: 50A

额定电压: 1500VDC(IEC)800DC(UL)

环境温度范围: -40°C ~+90°C (ec)

防护级别 :IP67 防护等级 IP2X 防护等级

插头连接器的接触电阻:0.5mΩ

接触材料: 紫铜, 镀锡

连接方式: 嵌入式 (nur/onlyMC4)

阻燃等级 :UL94-HB/UL94-VO

电缆尺寸 :2.5mm<sup>2</sup>、4mm<sup>2</sup>、6mm<sup>2</sup>

二极管 / 熔丝型: 肖特基二极管 / 光伏熔丝

Rated current:50A

Rated voltage:1500VDC(IEC) 800DC(UL)

Ambient temperature range:-40°C ~+90°C (ec)

Degree of protection:IP67mated IP2X unmated

Contact resistance of plug connectors:0.5mΩ

Contact material:Copper, tin plated

Locking system plug connectors:Snap-in(nur/only MC4)

Flame class:UL94-HB/UL94-VO

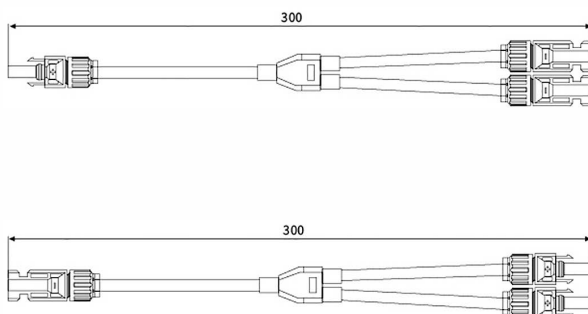
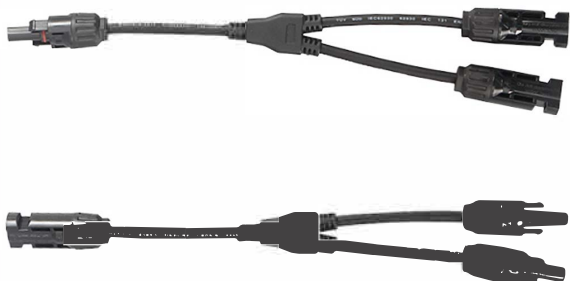
Cable size:2.5mm<sup>2</sup>、4mm<sup>2</sup>、6mm<sup>2</sup>

Diode/Fuse Type: Schottky Diode/PV Fuse

# 光伏连接器

PV connector

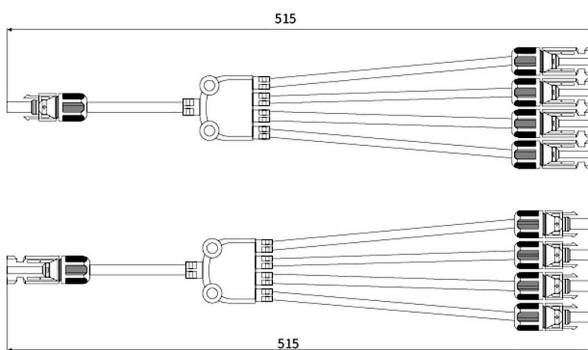
## 分支连接器 Branch connector PV- THC-Y1/2



额定电流: 30A  
 额定电压: 1000VDC(IEC)800DC(UL)  
 环境温度范围: -40°C ~+90°C (ec)  
 防护级别 :IP67 防护等级 IP2X 防护等级  
 插头连接器的接触电阻 :0.5mΩ  
 接触材料: 紫铜, 镀锡  
 锁定系统的连接方式: 嵌入式 (nur/only MC4)  
 阻燃等级 :UL94-HB/UL94-VO  
 电缆尺寸 : 2.5mm<sup>2</sup>、4mm<sup>2</sup>、6mm<sup>2</sup>  
 二极管 / 熔丝型: 肖特基二极管 / 光伏熔丝

Rated current:30A  
 Rated voltage:1000VDC(IEC) 800DC(UL)  
 Ambient temperature range:-40°C ~+90°C (ec)  
 Degree of protection:IP67mated IP2X unmated  
 Contact resistance of plug connectors:0.5mΩ  
 Contact material:Copper, tin plated  
 Locking system plug connectors:Snap-in(nur/only MC4)  
 Flame class:UL94-HB/UL94-VO  
 Cable size:2.5mm<sup>2</sup>、4mm<sup>2</sup>、6mm<sup>2</sup>  
 Diode/Fuse Type: Schottky Diode/PV Fuse

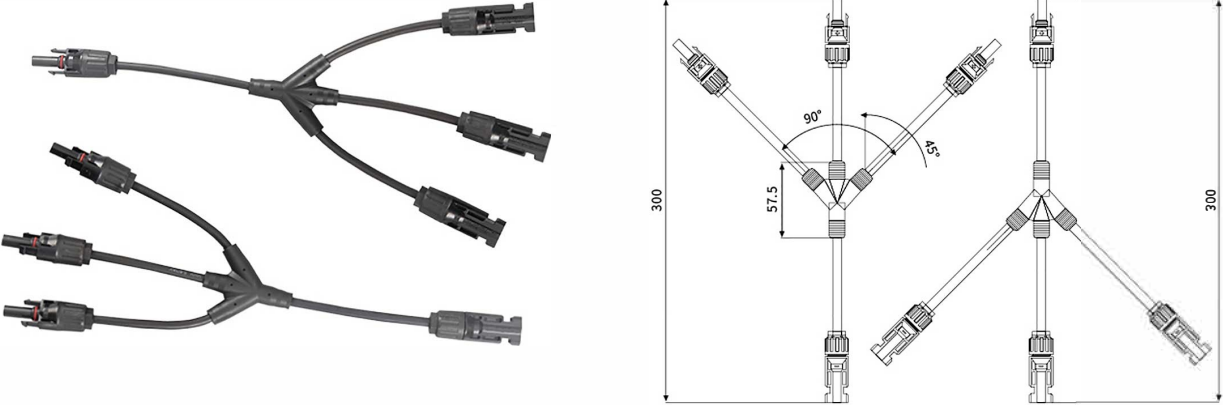
## 分支连接器 Branch connector PV- Y1/4



额定电流: 30A  
 额定电压: 1000VDC(IEC)800DC(UL)  
 环境温度范围: -40°C ~+90°C (ec)  
 防护级别 :IP67 防护等级 IP2X 防护等级  
 插头连接器的接触电阻 :0.5mΩ  
 接触材料: 紫铜, 镀锡  
 连接方式: 嵌入式 (nur/only MC4)  
 阻燃等级 :UL94-HB/UL94-VO  
 电缆尺寸 : 2.5mm<sup>2</sup>、4mm<sup>2</sup>、6mm<sup>2</sup>  
 二极管 / 熔丝型: 肖特基二极管 / 光伏熔丝

Rated current:30A  
 Rated voltage:1000VDC(IEC) 800DC(UL)  
 Ambient temperature range:-40°C ~+90°C (ec)  
 Degree of protection:IP67mated IP2X unmated  
 Contact resistance of plug connectors:0.5mΩ  
 Contact material:Copper, tin plated  
 Locking system plug connectors:Snap-in(nur/only MC4)  
 Flame class:UL94-HB/UL94-VO  
 Cable size:2.5mm<sup>2</sup>、4mm<sup>2</sup>、6mm<sup>2</sup>  
 Diode/Fuse Type: Schottky Diode/PV Fuse

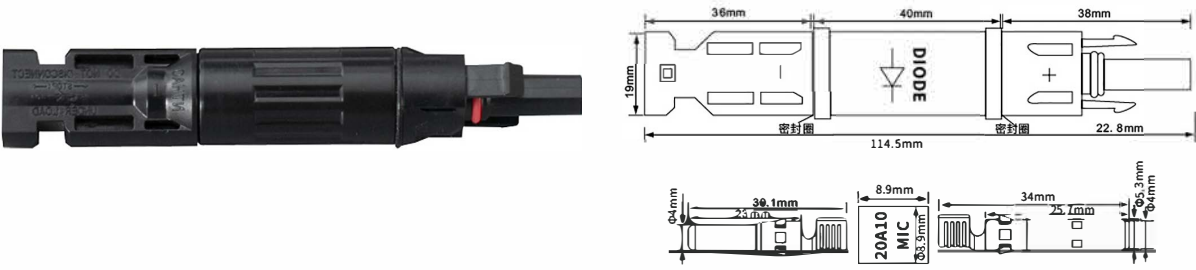
分支连接器 Branch connector PV- THC-Y1/3



额定电流: 30A  
 额定电压: 1000VDC(IEC)800DC(UL)  
 环境温度范围: -40°C ~+90°C (ec)  
 防护级别 :IP67 防护等级 IP2X 防护等级  
 插头连接器的接触电阻 :0.5mΩ  
 接触材料: 紫铜, 镀锡  
 连接方式: 嵌入式 (nur/onlyMC4)  
 阻燃等级 :UL94-HB/UL94-VO  
 电缆尺寸 : 2.5mm<sup>2</sup>、4mm<sup>2</sup>、6mm<sup>2</sup>  
 二极管 / 熔丝型: 肖特基二极管 / 光伏熔丝

Rated current:30A  
 Rated voltage:1000VDC(IEC) 800DC(UL)  
 Ambient temperature range:-40°C ~+90°C (ec)  
 Degree of protection:IP67mated IP2X unmated  
 Contact resistance of plug connectors:0.5mΩ  
 Contact material:Copper, tin plated  
 Locking system plug connectors:Snap-in(nur/only MC4)  
 Flame class:UL94-HB/UL94-VO  
 Cable size:2.5mm<sup>2</sup>、4mm<sup>2</sup>、6mm<sup>2</sup>  
 Diode/Fuse Type: Schottky Diode/PV Fuse

光伏二级管连接器 Photovoltaic secondary tube connector PV004-D

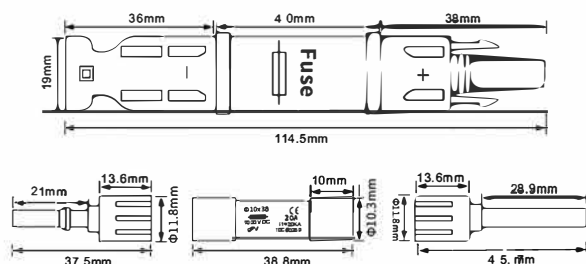


型号: PV004-D  
 额定电压: 1000VDC  
 接触材料: 紫铜, 镀锡  
 额定电流: 10A、15A、20A、25A、30A  
 标准: IEC 62852:2014  
 防护等级: IP65  
 接触电阻: ≤ 0.5mΩ  
 环境温度: -40°C ~+85°C  
 绝缘材料: PPO  
 阻燃等级: UL94 V-0

Model: PV004-D  
 Rated voltage: 1000VDC  
 Contact material: tinned copper  
 Rated current: 10A, 15A, 20A,25A,30A  
 Standard: IEC 62852:2014  
 Protection level: IP65  
 Contact resistance: ≤ 0.5mΩ  
 Environmental temperature: -40 °C ~+85°C  
 Insulation material: PPO  
 Flame retardant grade: UL94 V-0

## 光伏连接器 PV connector

### 光伏保险丝连接器 Photovoltaic fuse connector PV004-F



型号: PV004-F  
 额定电压: 1000VDC  
 接触材料: 紫铜, 镀锡  
 额定电流: 10A、15A、20A、25A、30A  
 标准: IEC 62852:2014  
 防护等级: IP65  
 接触电阻:  $\leq 0.5m\Omega$   
 环境温度:  $-40^{\circ}\text{C} \sim +85^{\circ}\text{C}$   
 绝缘材料: PPO  
 阻燃等级: UL94 V-0

Model: PV004-F  
 Rated voltage: 1000VDC  
 Contact material: tinned copper  
 Rated current: 10A, 15A, 20A, 25A, 30A  
 Standard: IEC 62852:2014  
 Protection level: IP65  
 Contact resistance:  $\leq 0.5m\Omega$   
 Environmental temperature:  $-40^{\circ}\text{C} \sim +85^{\circ}\text{C}$   
 Insulation material: PPO  
 Flame retardant grade: UL94 V-0

### 光伏配件产品 Photovoltaic accessory products



30A 铜芯 (紫铜)



50A 铜芯 (紫铜)



塑料扳手



光伏压线钳