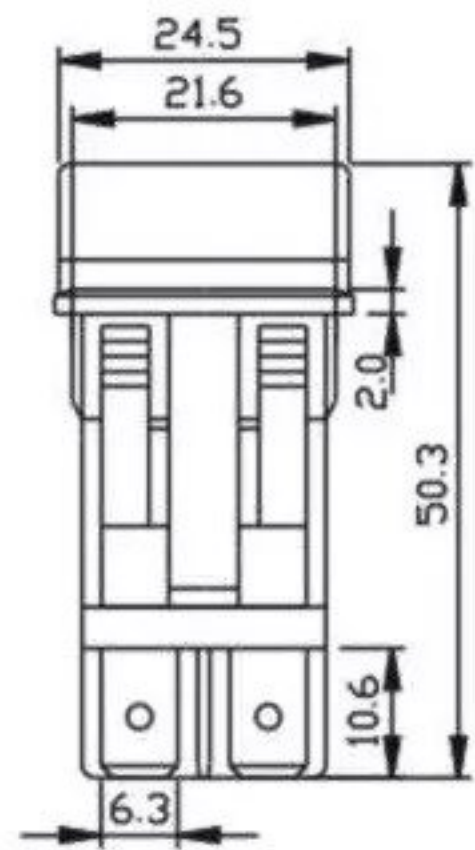
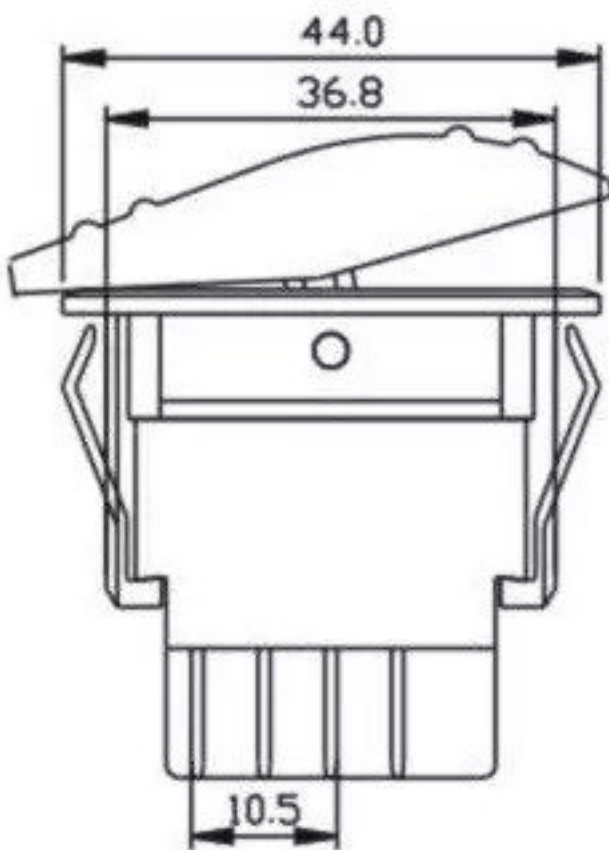
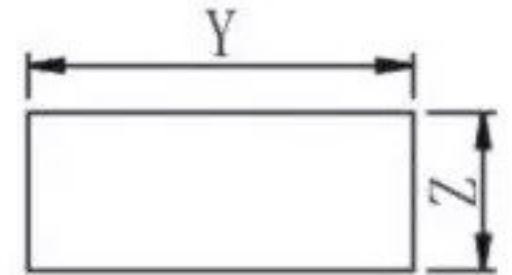




RK1-06 ON-OFF
 RK1-06N ON-OFF



安装孔尺寸
 Panel cut-out



X	Y	Z
0.75...1.25	36.9 ^{+0.1}	21.7 ^{+0.1}
1.25...2.00	37.0 ^{+0.1}	21.7 ^{+0.1}
2.00...3.00	37.1 ^{+0.1}	21.7 ^{+0.1}

X: 安装面板厚度
 X: Panel Thickness