



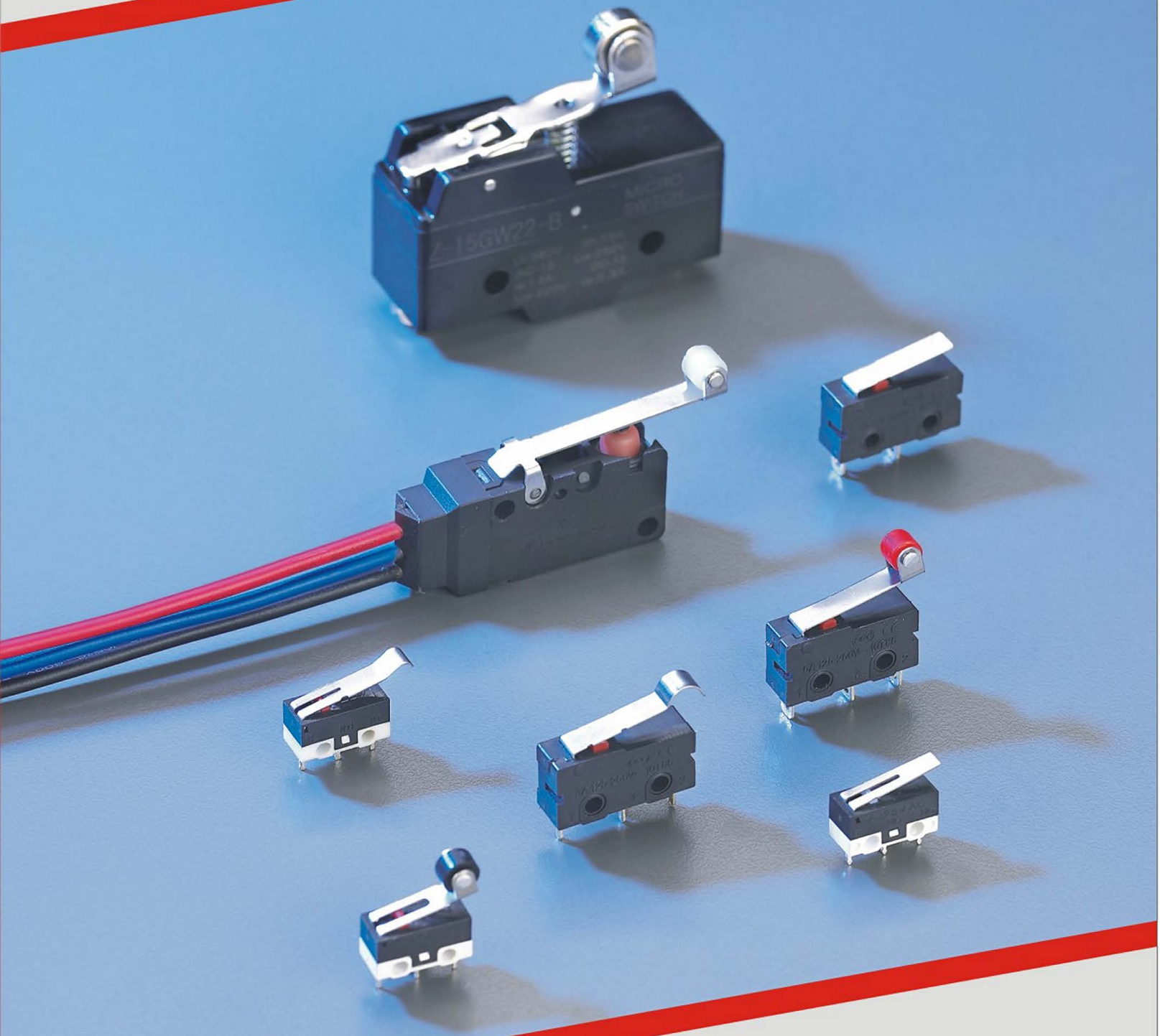
Professional
to
create high-quality switches
专业缔造高品质开关产品

Micro Switch

微动开关

CQC CE RoHS

www.chinadaier.com



中型微动开关系列 Medium Micro Switch

技术特性 Specifications

- | | |
|---|--|
| 1. 规格 Rating: 16A 250VAC/20A 125VAC | 5. 操作温度 Operating Temperature: -25°C ~ +85°C |
| 2. 接触电阻 Contact Resistance: $\leq 30m\Omega$ | 6. 环境湿度 Ambient Humidity Used: <85%RH |
| 3. 绝缘电阻 Insulation Resistance: $\geq 100M\Omega$ (500VDC) | 6. 电气寿命 Electrical Life: $\geq 10,000$ Cycles |
| 4. 耐电压 Dielectric strength: 1500VAC 1Minute | 7. 机械寿命 Mechanical Life: $\geq 100,000$ Cycles |
- 注:指无动臂时按钮上的动作力 Note:Refers to the operating force of no lever

选型说明 How to order

KW1-103 1 - 2 3 4 5 6

中型 Medium 温度等级 Derees of temperature 额定值 Rating 接触形式 Circuit 驱动形式 Actuator forms 端子种类 Terminal options 动作(max) Operating force

无标记(INO MARK)	T85, 10T105	Z:转换式 SPDT T:常开(接通)式 SPST-NO D:常开(按断)式 SPST-NC 见说明书 See illustration	1:无动臂 No lever A2/2:短动臂 Short lever A3/3:中动臂 Middle lever A4/4:长动臂 Long lever A5/5:弧形动臂 Arc lever A6/6:短滚轮臂 Roller lever A7/7:长滚轮臂 Long roller A11/11:大弯臂条 Big Arc lever A12/12:长大弯臂条 Long Big Arc lever A13/13:三角形臂条 Arc Roller lever	050: 0.5N 100: 1N 150: 1.5N 200: 2N 300: 3N 400: 4N
---------------	-------------	---	---	--

KW1-103:
25:10(25)A250VAC
25:25(4)A250VAC
16:16(4)A250VAC/16A 125VAC

KW1-103H:
10:10(3) A250VAC/10A125VAC
5:5(2)A250VAC/5A125VAC

KW1-103G:
22:22A125VAC
21:21(4)A250VAC
16:16(4)A250VAC/16A 125VAC
10:10(3)A250VAC/10A 125VAC

05:5(2)A250VAC/5A125VAC
01:1(0.3)A250VAC/1A125VAC
10:10(3) A250VAC/10A125VAC
5:5(2)A250VAC/5A125VAC
22:22A125VAC
21:21(4)A250VAC
05:05A125VAC/0.1A30VDC, 1A30VDC
01:1A125VAC/0.1A30VDC, 1A30VDC

注: 1A表示动臂安装在靠近按钮位置, 无字 母A表示动臂安装在离按钮较远位置。
Note: 1A indicate the lever near to the plunger, no A indicate the lever far away from the plunger.

A:250快捷端子 Quick-connect terminal
B:焊接/快捷#187共用端子(t=0.8mm) Solder/Quick-connect terminal#187
C:187快捷端子(t=0.5mm) 187 quick-connect terminal(t=0.5mm)
D:左侧面PCB端子 Left side PCB terminal
E:螺孔端子 Screw terminal
F:焊接端子 Solder terminal
G:右侧面PCB端子 Right side PCB terminal
Y:非标准端子 Not standard terminal

接触形式说明书 Circuit illustration

公共端子类型 Common terminal types	转换式 SPDT	常闭式 SPST-NC	常开式 SPST-NO
公共端在底部 Bottom common terminal			
公共端在侧面 Side common terminal			

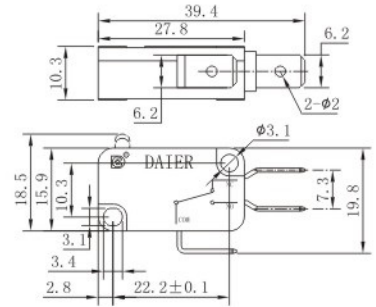
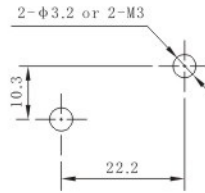
接线端子尺寸 Terminal dimensions

快捷端子#250 (t=0.8mm) Quick-connect terminal#250	焊接/快捷#187共用端子 (t=0.8mm) Solder/Quick-connect terminal#187	快捷端子#187 (t=0.5mm) Quick-connect terminal#187	左侧面PCB端子 Left side PCB terminal	螺孔端子 Screw terminal	焊接端子 Solder terminal	右侧面PCB端子 Right side PCB terminal

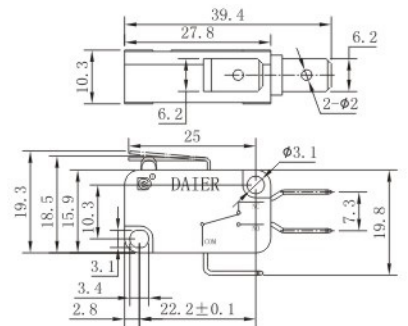
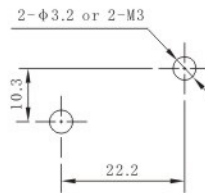
外形尺寸 Dimension



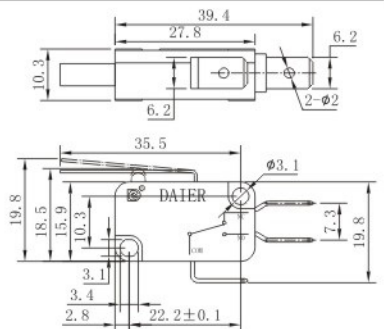
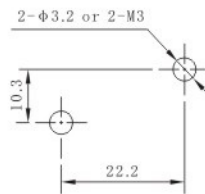
KW1-103-Z1A100
KW1-103-Z1A150
KW1-103-Z1A200
KW1-103-Z1A300



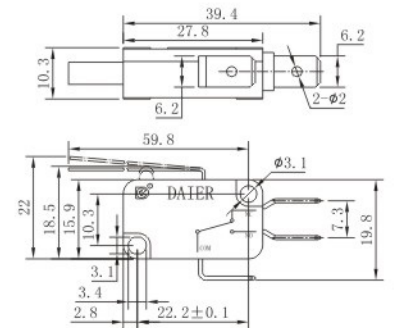
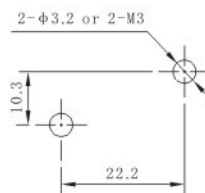
KW1-103-Z2A100
KW1-103-Z2A150
KW1-103-Z2A200
KW1-103-Z2A300



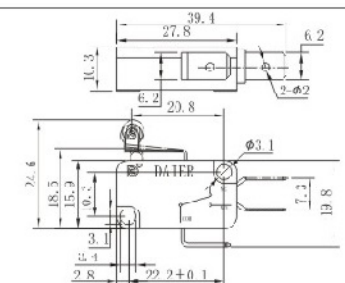
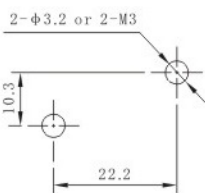
KW1-103-Z3A100
KW1-103-Z3A150
KW1-103-Z3A200
KW1-103-Z3A300



KW1-103-Z4A100
KW1-103-Z4A150
KW1-103-Z4A200
KW1-103-Z4A300

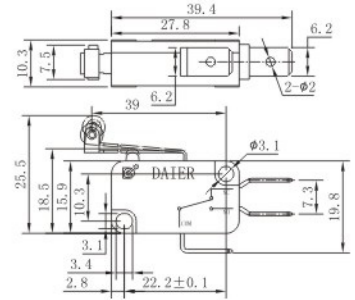
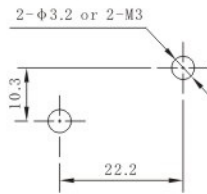


KW1-103-Z6A100
KW1-103-Z6A150
KW1-103-Z6A200
KW1-103-Z6A300

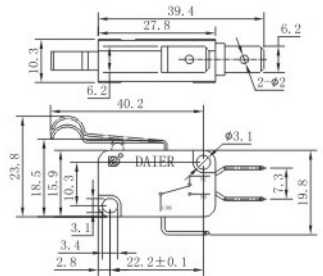
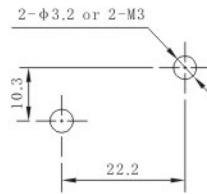




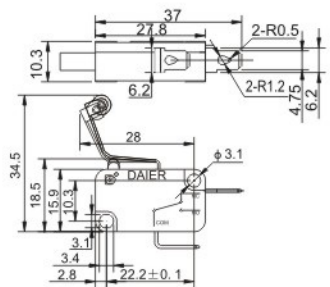
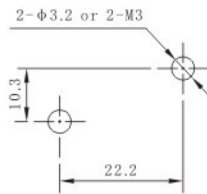
KW1-103-Z7A100
KW1-103-Z7A150
KW1-103-Z7A200
KW1-103-Z7A300



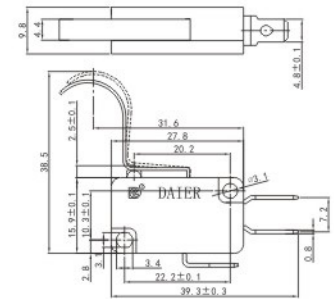
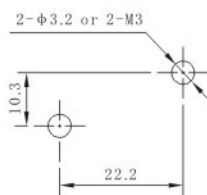
KW1-103-Z5A100
KW1-103-Z5A150
KW1-103-Z5A200
KW1-103-Z5A300



KW1-103-D13B100
KW1-103-D13B150
KW1-103-D13B200
KW1-103-D13B300



KW1-103-Z11A100
KW1-103-Z11A150
KW1-103-Z11A200
KW1-103-Z11A300



KW1-103-Z12A100
KW1-103-Z12A150
KW1-103-Z12A200
KW1-103-Z12A300

