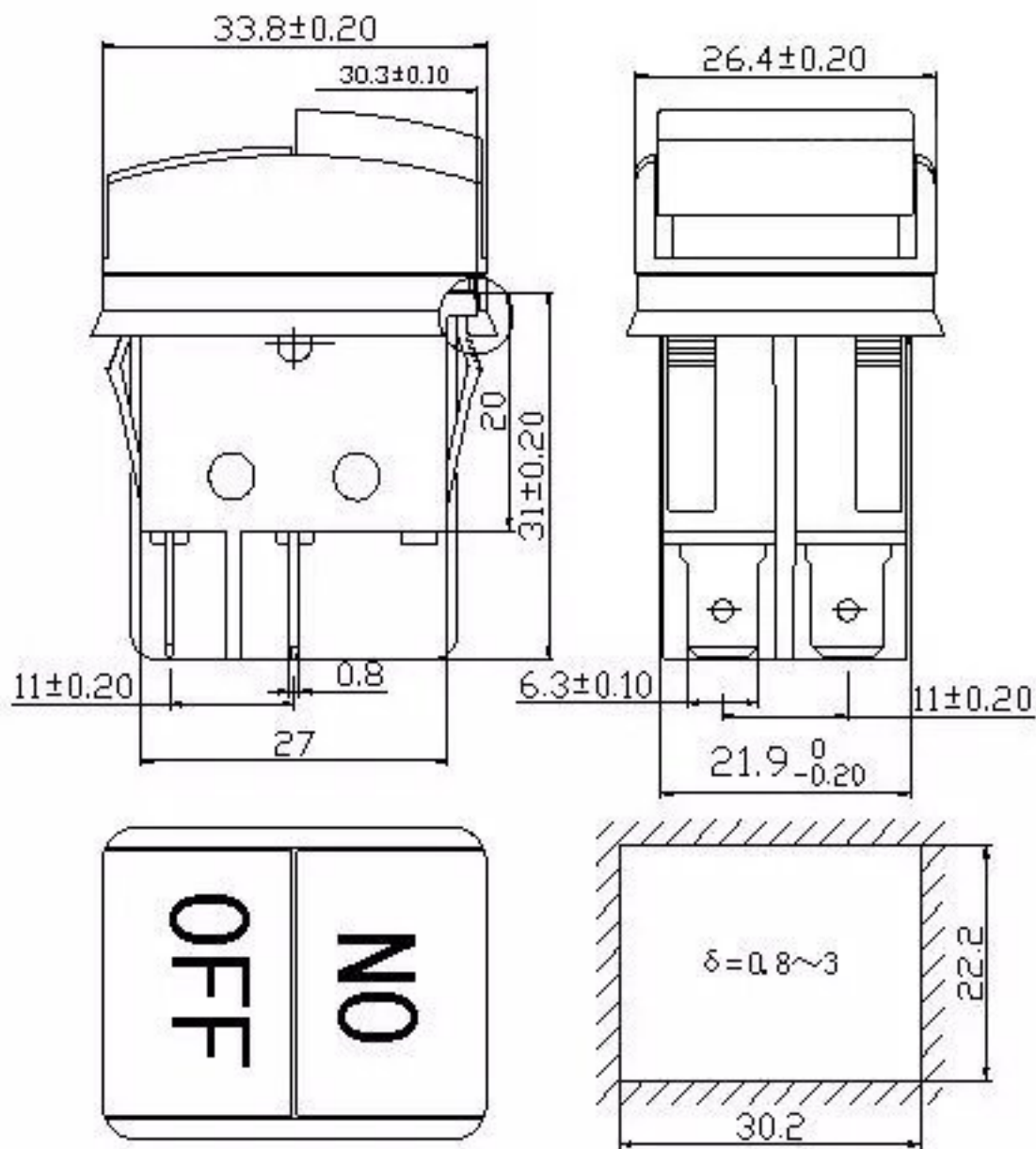




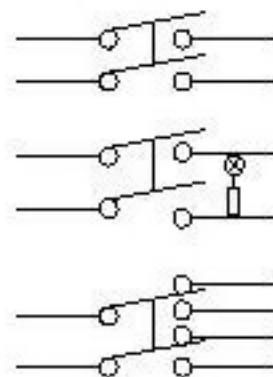
KCD2-201-2P

● 开关额定值 Ratings:

1. Rating: 20A 125VAC; 15A 250VAC.
2. Contact Resistance: 50mΩ max.
3. Insulation Resistance: 500V DC 100mΩ min.
4. Dielectric Strength: 1 Minute 1500V AC.
5. Operating Temperature: -25° C ~ +120° C.
6. Electrical Life: 10,000 Cycles.



电路图



端子规格

