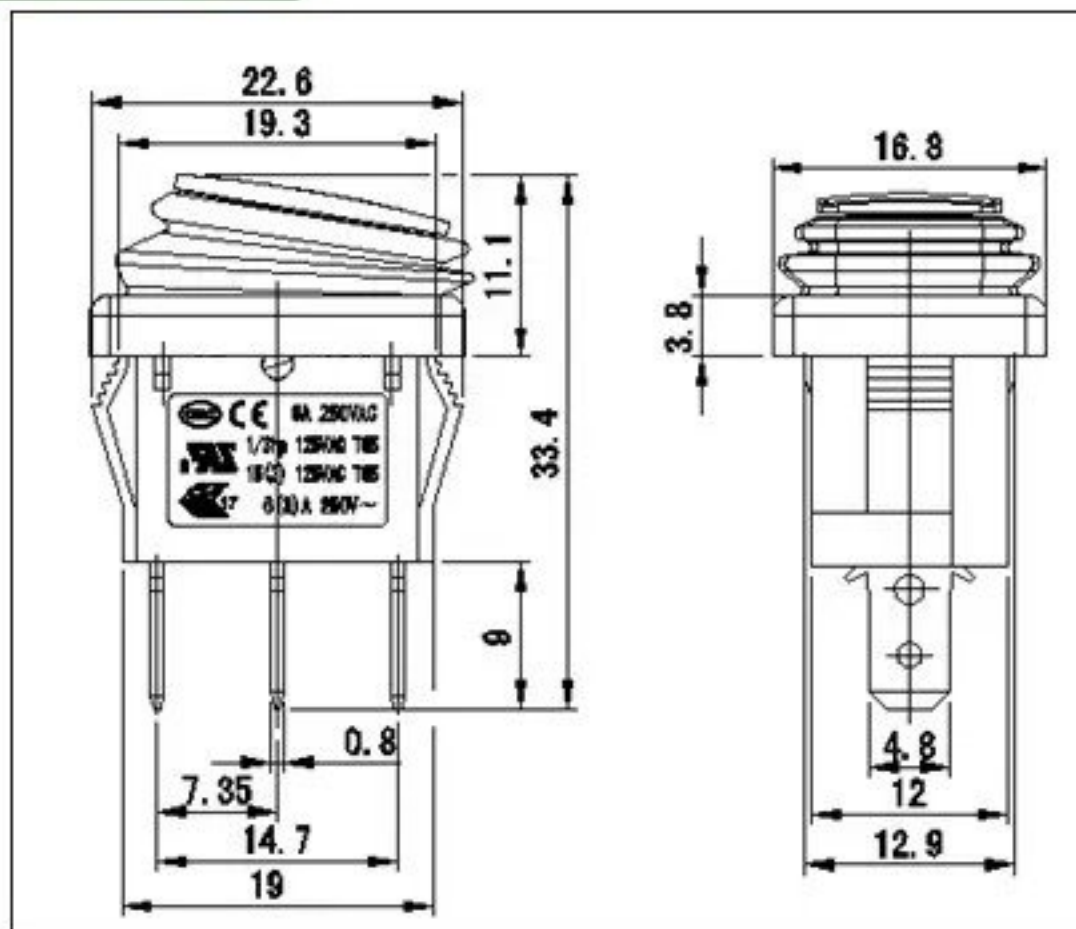


外形尺寸



安装开孔尺寸

Z	X	Y
0.75~1.25	19.4 ^{+0.10} ₀	13.0 ^{+0.10} ₀
1.25~2.00	19.5 ^{+0.10} ₀	13.0 ^{+0.10} ₀
2.00~3.00	19.6 ^{+0.10} ₀	13.0 ^{+0.10} ₀

技术性能参数 SPECIFICATION

接触电阻 (初始值) Contact Resistance	≤50mΩ
绝缘电阻 (常态) Insulation Resistance	≥1,000MΩ
耐压 (常态) Dielectric Strength	1,500V AC , 1min
工作环境温度 Operating temperature	T55 , T105
电气寿命 (次) Electronic Life(cycles)	10,000

电气额定值 Max. Rating Current & Voltage

	10(3)A 250V AC T85 6(3)A 250V AC T85
	15R(3) 125V AC 10R(3) 250V AC 1/3HP 125V AC
	10(3)A 250V AC T105, 6(3)A 250V AC T105 6A 250V AC, 4A 250VAC T105