

◆ 型号规格命名及含意 Model number legend and meanings

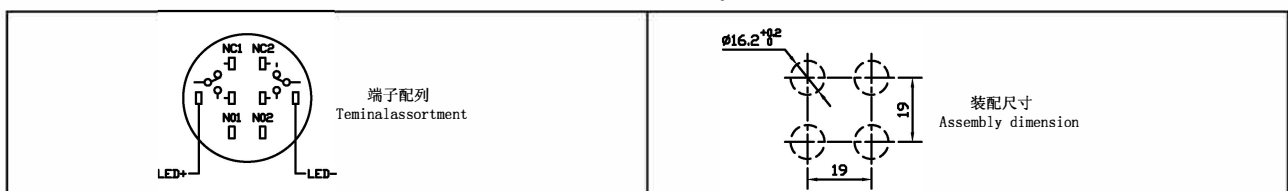
A □-□□□-□-□□
1 2 3 4 5 6 7

1	安装孔尺寸 Mounting hole dimensions	12:12mm 16:16mm	5	LED	No mark:LED N:with LED
2	刀数 Poles	11:1N01NC 22:2N02NC	6	LED颜色 LED Color	R: (红色 red) G: (绿色 green) Y: (黄色 yellow) BL:(蓝色 blue) W: (白色 White)
3	功能 function	S: (复位 Momentary) Z: (自锁 Latching)	7	LED伏特 LED volt	3V 48V 6V 110V 12V 220V 24V
4	形状 shape	Y: (圆形 round) F: (正方形 square) J: (长方形 rectangular) M: (蘑菇形 mushroom) X: (旋转形 Rotary) K: (钥匙形 The key)			

◆ 技术参加数 Technology for several

保护等级 Degree of protection	IP40 Watertight/Oiltight	绝缘电阻 Insulation Resistance	100MΩ minimum(500V DC megger)
触点类型 Contact Configuration	Single Pole, Double pole	抗振性 Vibrarion Resistance	10 to 55Hz, amplitude 1.2mm p-p
最大电压 Maximum Voltage	250V AC/DC	电气寿命 Electrical Life	10,000 operations minimum(at full rated load)
热电流 Thermal Current	3A	机械寿命 Mechanical Life	Maintained:1,000,000 operations minimum
最小负载 Minimum Applicable load	5V AC/DC, 1mA		Momentary:1,000,000 operations minimum
触点材料 Contact Material	Silver Contact	耐压 Dielectric Strength	Selector/Keylock:250,000 operations minimum
端子接式 Terminal Style	110" Solder/Quiek Connect		Switch Unit:2,000V AC,1 min. between live/dead part and terminals of different poles;1,000V AC,1 minute bdtween teminals of the same pole;1,500V AC,1 minute between contact and lamp
操作温度 Operatin Humidity	-25° to +55° C		terminals. lllumination Unit:2,000V AC,1 min. between live part/ground
操作湿度 Operating Temperature	45 to 85% RH	锡焊温度 Soldering Temperature	20W/5 seconds or 260° C/3 seconds

◆ 端子配列/装配尺寸 Teminalassortment/Assembly dimension



◆ 端子配列/装配尺寸 Terminalassortment/Assembly dimension


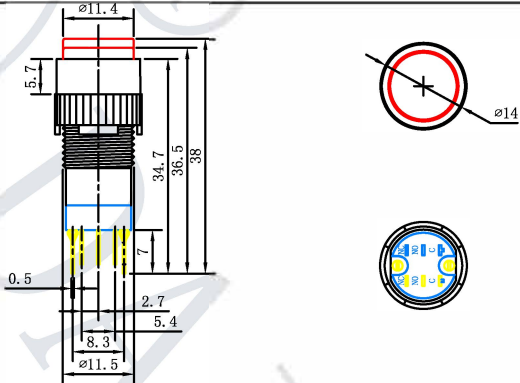

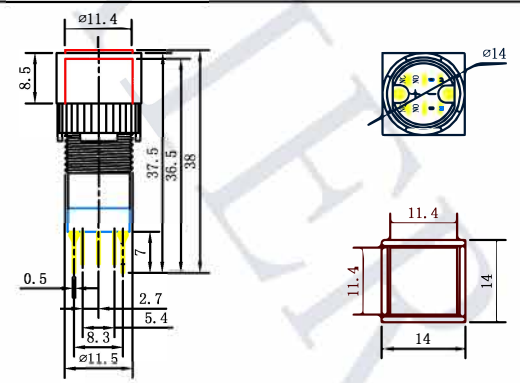

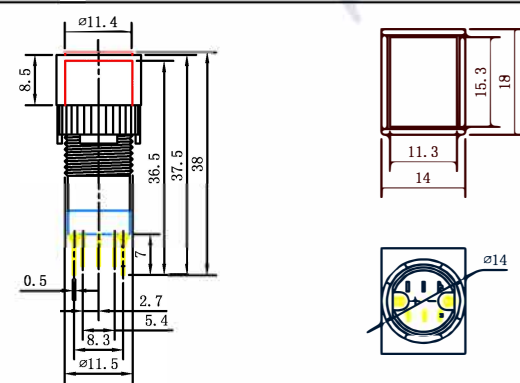
工作电压	6V	12V	24V	110V	220V
允许电压波动	±5%	±5%	±5%	±20%	±20%
光源	LED	LED	LED	LED	LED
颜色	R、G、Y、B、W、PW、PG、R、G				R、G
工作电流	20mA	15mA	13mA	1.4mA	0.8mA
工作寿命	30000 hours	30000 hours	30000 hours	30000 hours	30000 hours

注：灯珠内置保护电阻，不需外接，其他电压规格可按要求定制


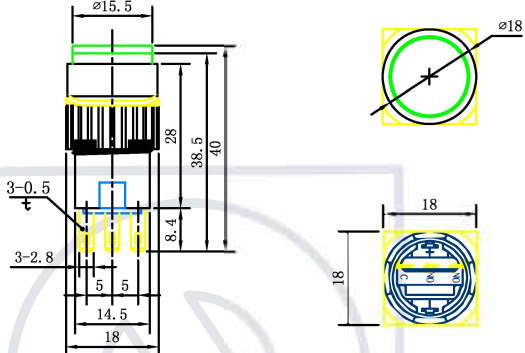

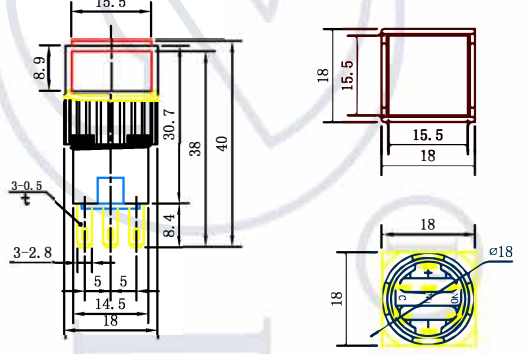

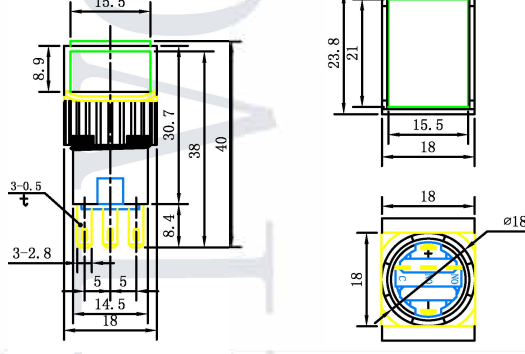

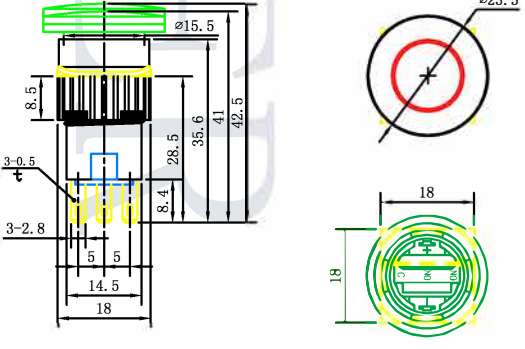
Note:light ball is put inside,and is not needed to connect

outside.Other voltage specification can be made according with demand.


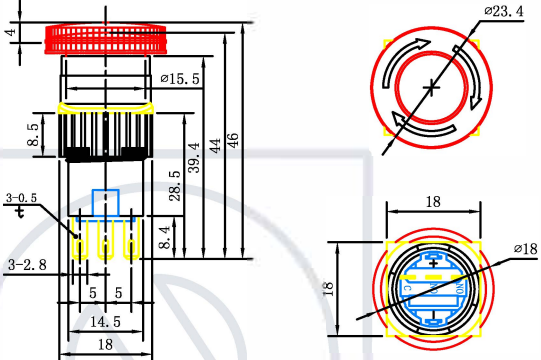

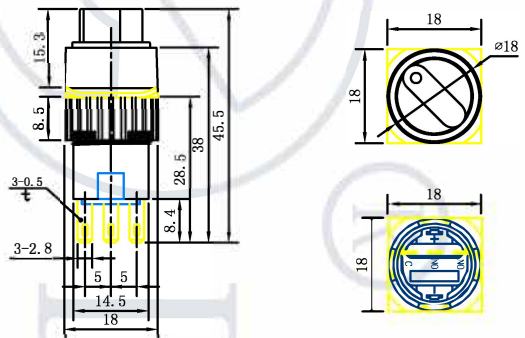

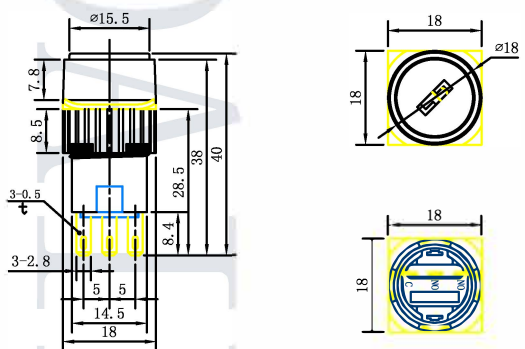
◆ 外形尺寸和动作特性 Dimensions and operating characteristics

A12-11SY		
A12-11SF-N		
A12-11SJ-N		

◆ 外形尺寸和动作特性 Dimensions and operating characteristics

<p>A16-11SY</p>		
<p>A16-22SF-N</p>		
<p>A16-11SJ-N</p>		
<p>A16-11SM</p>		

◆ 外形尺寸和动作特性 Dimensions and operating characteristics

<p>A16-11ZR</p>		
<p>A16-11ZX2</p>		
<p>A16-11ZK2</p>		
<p>A16 BUZZER (蜂鸣器)</p>	