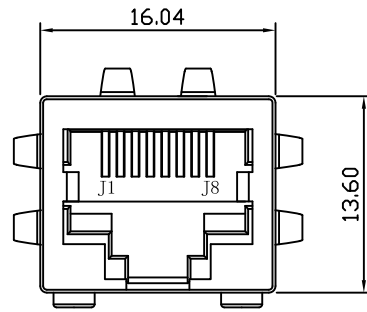
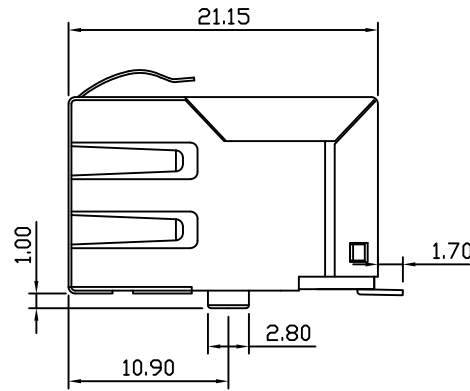


Mechanical:

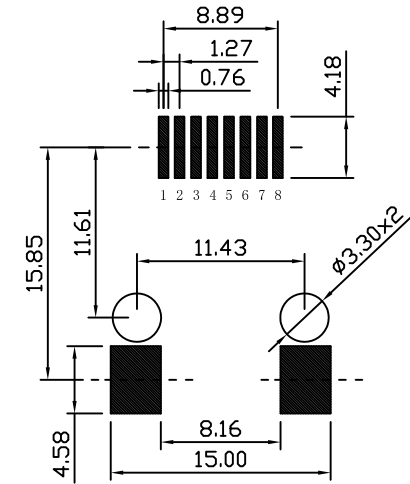
REV.	ECN NO.	DESCRIPTION	DATE	APPD
A	REL		2015-05-28	



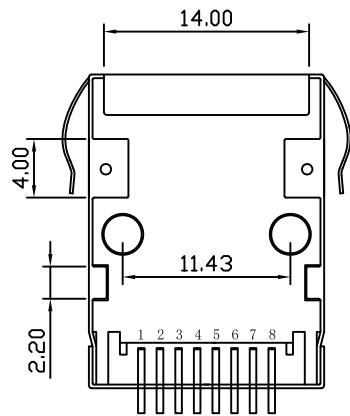
Front Side View



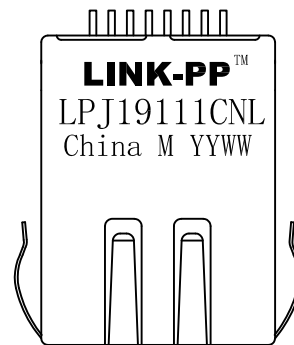
Left Side View



Suggested PCB Layout



Bottom Side View



Top Side View



NOTES:

1. Meets IEEE 802.3 specification
2. Connector Materials:

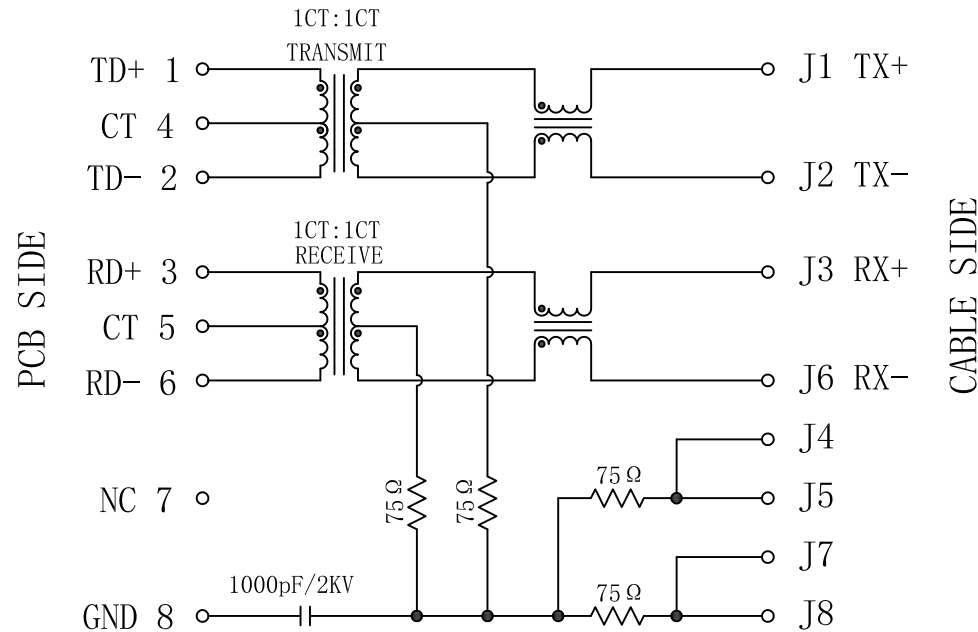
Housing Material: Thermoplastic PA9T+30%G.F UL94V-0
 Contact Material: Phosphor Bronze C5210R-EH Thickness=0.35mm
 Pins: Brass C2680R-H Thickness=0.35mm
 Shield: Copper alloy Brass H65Y Thickness=0.2mm
 Contact plating: Gold 6 micro-inches min. In contact area.

3. Wave solder tip temperature: 265°C Max, 5 Sec Max
4. UL Certification: File Number E484635.

X:X	±0.30	APPD:	LINK-PP INT'L TECHNOLOGY CO., LIMITED	
X:XX	±0.25	CHKD:	TITLE: Surface Mount RJ45 Connector with 10/100 Base-T Integrated Magnetics	
X:XXX	±0.05	DR: SEA	PART NO.: LPJ19111CNL	
ANGLES	±1°	UNIT: mm	DWG NO.: LP14052811	
	SCALE: 2/1	SHEET: 1/3	REV: A	

Schematic:

REV.	ECN NO.	DESCRIPTION	DATE	APPD
A	REL		2015-05-28	



ELECTRICAL SPECIFICATIONS @25°C

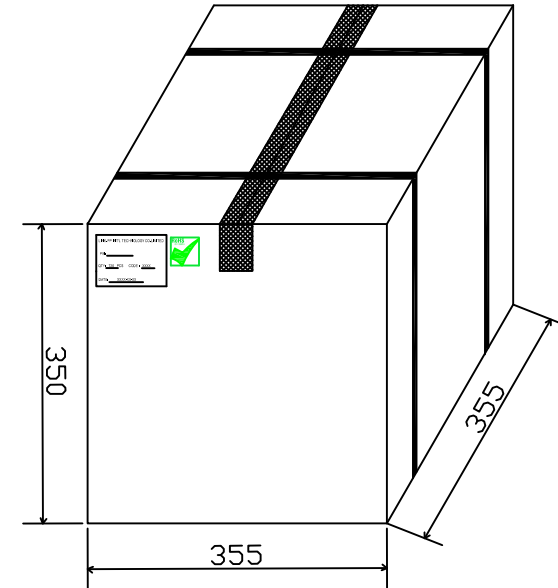
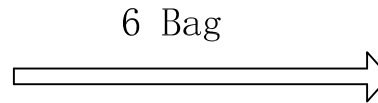
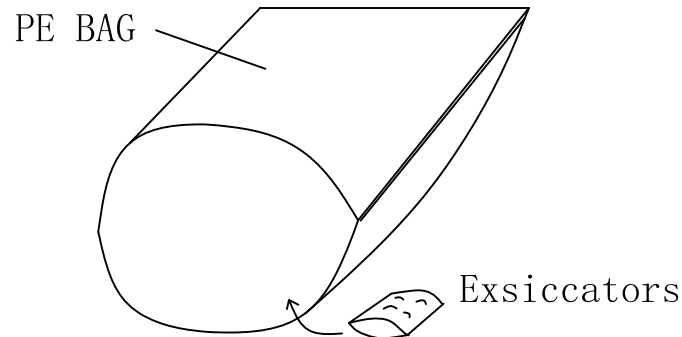
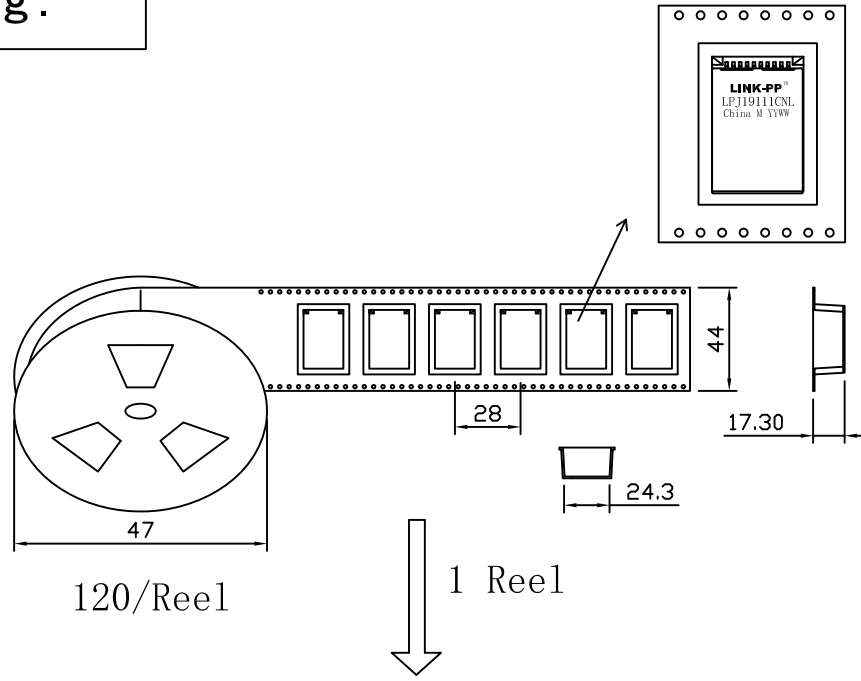
- Turn Ratio ($\pm 3\%$):
TX=1CT:1CT RX=1CT:1CT
- Inductance OCL:
350uH MIN @ 100KHz 0.1V 8mA DC Bias
- DCR: 1.2 Ω MAX
- Insertion Loss:
-1.0dB MAX @ 1-100MHz
- Return Loss:
-18dB MIN @ 1-30MHz
-15dB MIN @ 30-60MHz
-12dB MIN @ 60-100MHz
- Cross talk:
-40dB MIN @ 30MHz
-35dB MIN @ 60MHz
-30dB MIN @ 100MHz
- Common Mode Rejection:
-30dB MIN @ 1-100MHz
- Hipot Test: 1500Vrms
- Operating Temperature Range: 0°C TO 70°C



X:X	± 0.30	APPD:	LINK-PP INT'L TECHNOLOGY CO., LIMITED	
X:XX	± 0.25	CHKD:	TITLE: Surface Mount RJ45 Connector with 10/100 Base-T Integrated Magnetics	
X:XXX	± 0.05	DR: SEA	PART NO.: LPJ19111CNL	
ANGLES	$\pm 1^\circ$	UNIT: mm		
	SCALE: 2/1	SHEET: 2/3	REV: A	DWG NO.: LP14052811

Packing:

REV.	ECN NO.	DESCRIPTION	DATE	APPD
B	REL		2015-05-28	



- ◆ Packaging unit : 120 pcs/ reel
- ◆ Packaging way : Carrier tape
- ◆ Outer carton unit : 720 pcs/ 6 Reel/ box
- ◆ Net Weight : 4.5 kg
- ◆ Gross Weight : 8 kg

X:X	±0.30	APPD:	LINK-PP INT'L TECHNOLOGY CO., LIMITED	
X:XX	±0.25	CHKD:	TITLE: Surface Mount RJ45 Connector with 10/100 Base-T Integrated Magnetics	
X:XXX	±0.05	DR: SEA	PART NO. : LPJ19111CNL	
ANGLES	±1°	UNIT: mm		
		SCALE: 2/1	SHEET: 3/3	REV: A
			DWG NO. :	LP14052811