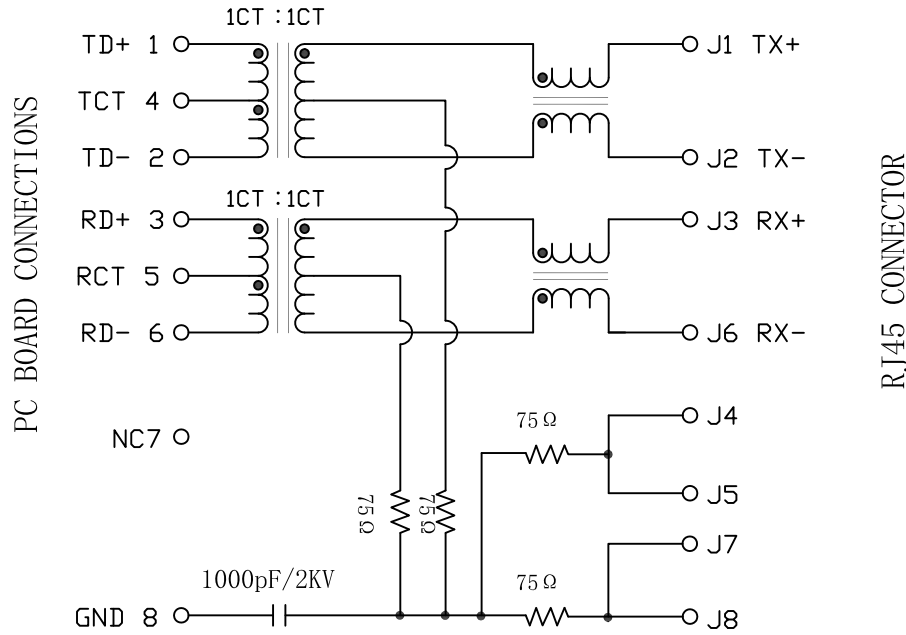


# Schematic:

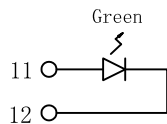
REV.	ECN NO.	DESCRIPTION	DATE	APPD
A	REL		2011-01-05	



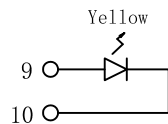
RJ45 CONNECTOR

## Electrical Specifications @25°C

- Turns Ratio ( $\pm 2\%$ ) :  
TX=1CT:1CT      RX=1CT:1CT
- Primary Inductance (P1-P2, P3-P6) : 350uH Min  
@100KHz, 0.1Vrms, 8mA DC bias
- Insertion Loss:  
0.3-100MHz: -1.2dB Max
- Return Loss (dB Min, 100  $\Omega$ ) :  
1-30MHz: -16;      40MHz: -14;  
50MHz: -13;      60-80MHz: -10
- Crosstalk (dB Min) :  
30MHz: -40;      60MHz: -36;  
100MHz: -30
- Common Mode Rejection (dB Min) :  
30MHz: -35;      60MHz: -32;  
100MHz: -30
- Hipot Test: 1500Vrms
- Operating Temperature: -40°C ~ +80°C



Left LED



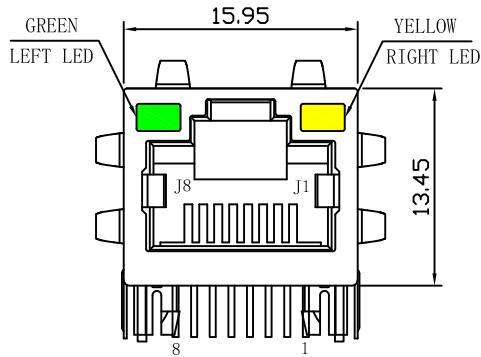
Right LED

Emitting Color	$\lambda$ p(nm)	VF@IF=20mA	IR @VR=5V
Green	570	1.8~2.6V	10 $\mu$ A max
Yellow	585	1.8~2.6V	10 $\mu$ A max

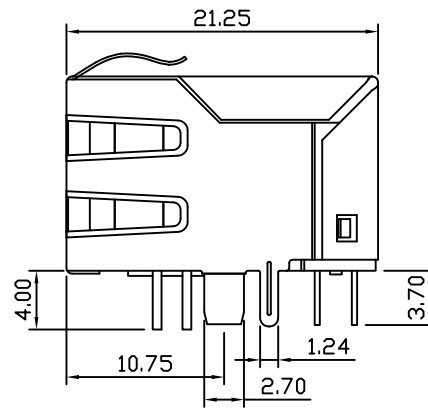
X:X	$\pm 0.30$	APPD:	LINK-PP INT'L TECHNOLOGY CO., LIMITED	
X:XX	$\pm 0.25$	CHKD:	TITLE: RJ45 Connector with 10/100 Base-T Integrated Magnetics	
X:XXX	$\pm 0.05$	DR: TOM	PART NO. : LPJ16611AENL	
ANGLES	$\pm 1^\circ$	UNIT: mm	DWG NO. : LP11010524	
	SCALE: 2/1	SHEET: 1/2	REV: A	

# Mechanical:

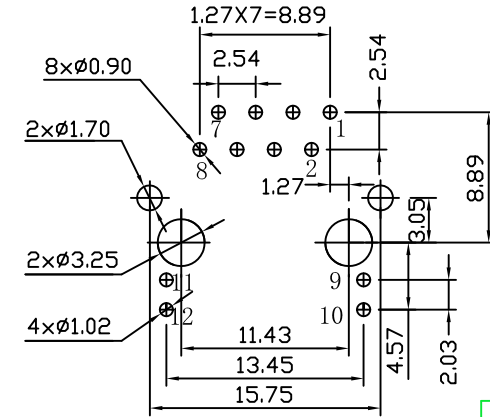
REV.	ECN NO.	DESCRIPTION	DATE	APPD
A	REL		2011-01-05	



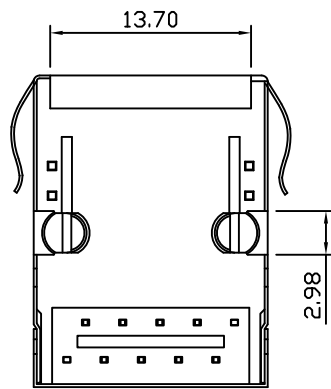
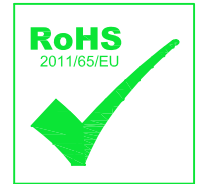
Front Side View



Left Side View



Suggested PCB Layout (Top View)



Bottom Side View



Top Side View

## NOTES:

1. Designed to support application, such as SOHO (ADSL modems), LAN-on-Motherboard (LOM), hub and Switches.
2. Meets IEEE 802.3 specification
3. Connector Materials:  
 Housing: Thermoplastic PBT+30%G.F UL94V-0  
 Contact: Phosphor Bronze C5210R-EH Thickness=0.35mm  
 Pins: Brass C2680R-H Thickness=0.35mm  
 Shield: SUS 201-1/2H Thickness=0.2mm  
 Contact plating: Gold 6 micro-inches min. In contact area.
4. Wave solder tip temperature: 265°C Max, 5 Sec Max.
5. UL Certification: File Number E484635.

X:X	±0.30	APPD:	LINK-PP INT'L TECHNOLOGY CO., LIMITED	
X:XX	±0.25	CHKD:	TITLE: RJ45 Connector with 10/100 Base-T Integrated Magnetics	
X:XXX	±0.05	DR: TOM	PART NO.: LPJ16611AENL	
ANGLES	±1°	UNIT: mm	DWG NO.: LP11010524	
	SCALE: 2/1	SHEET: 2/2	REV: A	