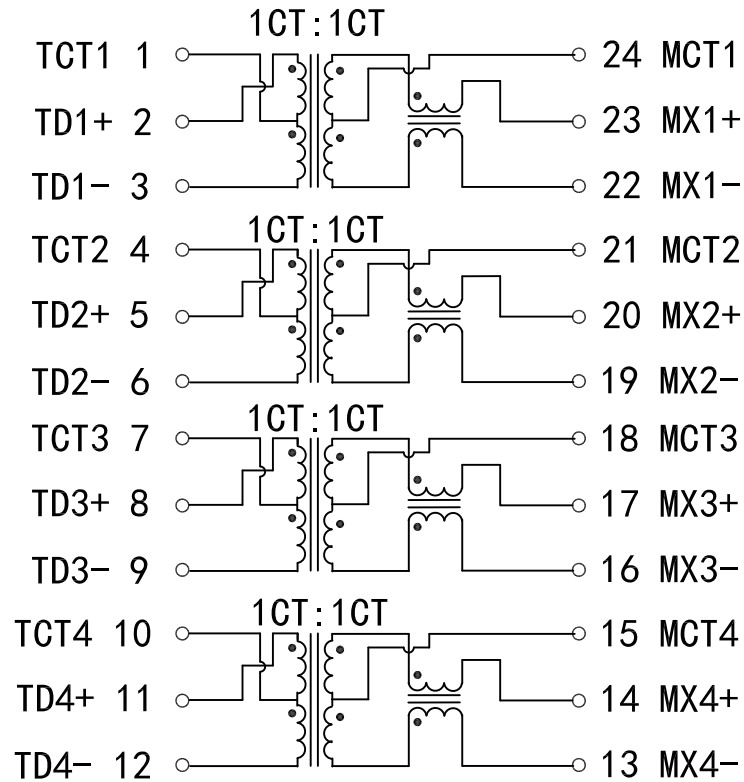


# Schematic:

REV.	ECN NO.	DESCRIPTION	DATE	APPD
A	REL		28/07/2007	



## Electrical Specifications @25°C

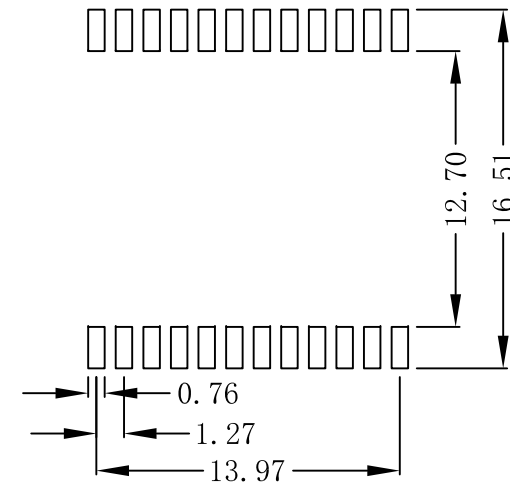
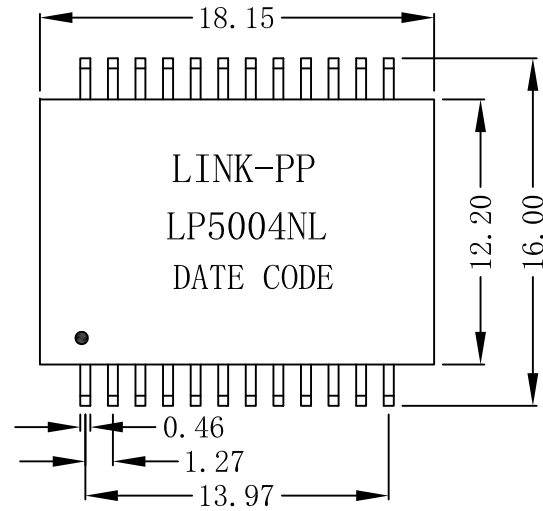
- Turns Ratio:  
Pri:Sec = 1CT:1CT
- OCL: 350uH MIN  
@100KHz, 100mV, 8mADC Bias.
- Insertion Loss:  
1-100MHz: -1.0dB MAX
- Return Loss (dB MIN @100Ω):  
1-30MHz: -18      40MHz: -18  
50MHz: -16      60-80MHz: -12  
100MHz: -10
- Crosstalk (dB MIN):  
30MHz: -45      60MHz: -40  
100MHz: -35
- DCMR (dB MIN):  
30MHz: -43      60MHz: -37  
100MHz: -33
- Hipot: 1500Vrms MIN
- Operating Temperature: 0°C ~ 70°C.



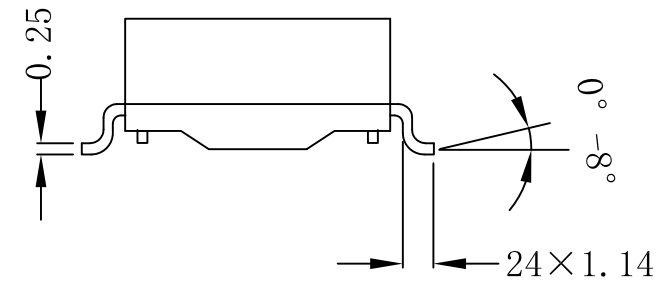
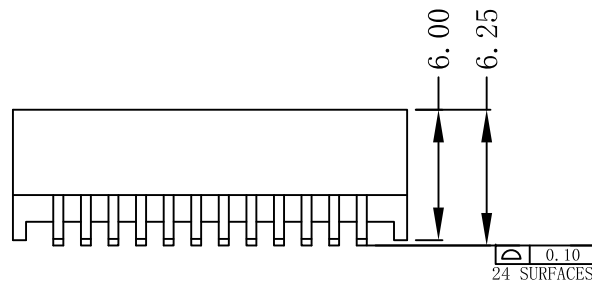
X:X	APPD:	LINK-PP INT'L TECHNOLOGY CO., LIMITED		
X:XX ±0.25	CHKD:	TITLE: 1000Base-T Magnetic Modules		
X:XXX	DR: TOM	PART NO.: LP5004NL		
ANGLES ±1°	UNIT: mm			
	SCALE: 2/1	SHEET: 1/2	REV: A	DWG NO.:

# Mechanical:

REV.	ECN NO.	DESCRIPTION	DATE	APPD
A	REL		28/07/2007	



SUGGESTED PAD LAYOUT



## NOTES:

1. Designed to support application, such as SOHO (ADSL modems), LAN-on-Motherboard (LOM), hub and Switches.
2. Meets IEEE 802.3 specification.
3. Flammability Rating: UL94V-0
4. Maximum reflow temperature is 250°C, 5 Sec.
5. UL certification: file number E484635



X:X	APPD:	LINK-PP INT'L TECHNOLOGY CO., LIMITED	
X:XX	±0.25	CHKD:	TITLE: 1000Base-T Magnetic Modules
X:XXX		DR: TOM	PART NO.: LP5004NL
ANGLES	±1°	UNIT: mm	
	SCALE: 2/1	SHEET: 2/2	REV: A DWG NO.: