

X	1	2	3
H	1.2	1.17	0.7
Y	1.15	1.18	1.65

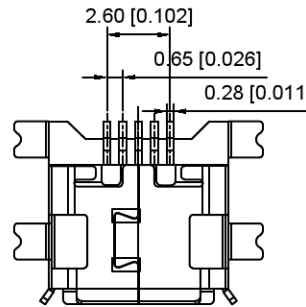
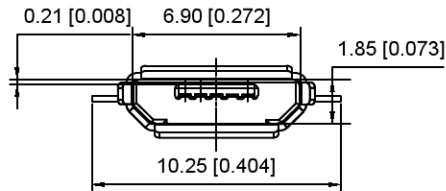
Note:

1. Material:

- 1.1 Housing: High temperature thermoplastic with g.f, UL94V-0
- 1.2 Contact: copper alloy, t=0.15mm
- 1.3 Shell: copper alloy, t=0.25mm

2. Specification:

- 2.1 Current rating: 1A Max
- 2.2 Dielectric withstanding voltage: 100V(ac) for 1 min.
- 2.3 Contact resistance: 30 MΩ Max.
- 2.4 Insulation resistance: 100 MΩ Min.
- 2.5 Total mating force: 3.57 Kgf Max.
- 2.6 Total unmating force: 1.0 Kgf Min. 0.81~2.05 Kgf Min.
- 2.7 Temperature range: -30°C~80°C



Scrolls (S)

U253-05XX-4BH87-XX

1:AU 1U"

6:AU 30U"

T:TIN

N:NICKEL

1:H1.2 2:H1.17 3:H0.7  
S:Scrolls F:Flat

广东星坤科技股份有限公司

生	日期
发	日期

文件工程章

REVISIONS

www.xkcg.cn www.helloxkb.com www.helloxkb.cn

ANGULAR ±5°  
L ≤ 4 ±0.2  
4 < L ≤ 16 ±0.3  
16 < L ≤ 63 ±0.4  
L > 63 ±0.5

UNSPECIFIED TOLERANCES

DSND	DATE	SCALE: N/A	MODEL TYPE: MICRO USB
DWN	DATE	VIEW:	PART NO.:
CHKD	DATE	UNIT: mm/in	DWG NO.:
APPD	DATE	SIZE: A4	U253-05XX-4BH87-XX
KXB INDUSTRIAL PRECISION CO., LIMITED			WEIGHT SHEET REVISION
			1.0g 1/1 A0