

技术说明

- 1.表明光洁，无明显缩坑与熔接痕
- 2.工作温度：-40℃- +120℃

K 282079 H - 1
 ① ② ③ ④

- 1.K: XKBTEK-Car Connector
- 2.XKB Series No
- 3.Category:H-HSG Female
- 4.1:type1(1Pin)

K282079H-1	K282103H-1	K282404T-1
		K282109T-1
		K282465T-1
PART NO	Suitable XKB Housing	Suitable XKB Terminal

three	O-Ring	K282079H-1C	Yellow	silica gel
two	lock catch	K282079H-1B	Red	PA66+GF30
one	main part	K282079H-1A	Black	PA66
serial number	name	PART NO	Color	Material

广东星坤科技股份有限公司

Δx		日期
Δx		
Δx		
MARK		

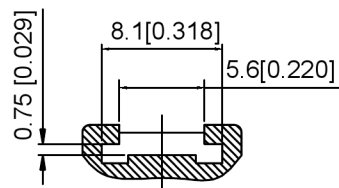
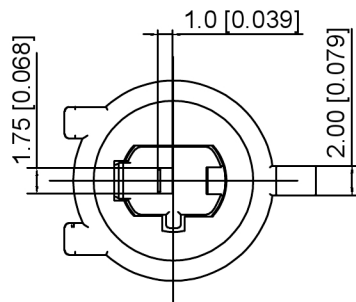
文件工程章

REVISIONS	DATE	REVISED	APPROVED	DESCRIPTION

DSND		SCALE: N/A	MODEL TYPE: 6.0mm Automobile connector
DWN		VIEW:	PART NO.: K282079H-1
CHKD		UNIT: mm/in	DWG NO.: X-K282079H-1
APPD		SIZE: A4	
XKB INDUSTRIAL PRECISION CO., LIMITED			WEIGHT 1/1
			SHEET 1/1
			REVISION A0

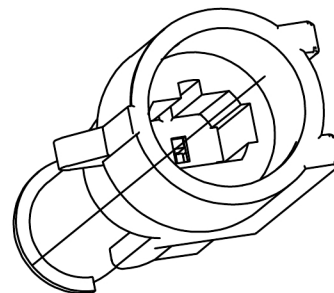
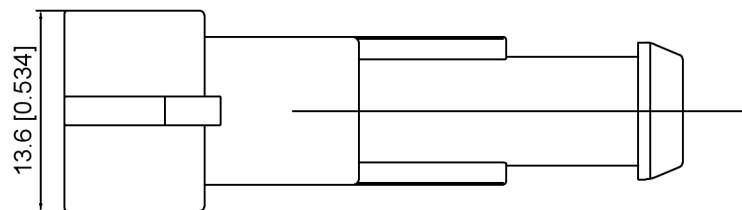
ANGULAR ±5°
 L ≤ 4 ±0.2
 4 < L ≤ 16 ±0.3
 16 < L ≤ 63 ±0.4
 L > 63 ±0.5
 UNSPECIFIED TOLERANCES





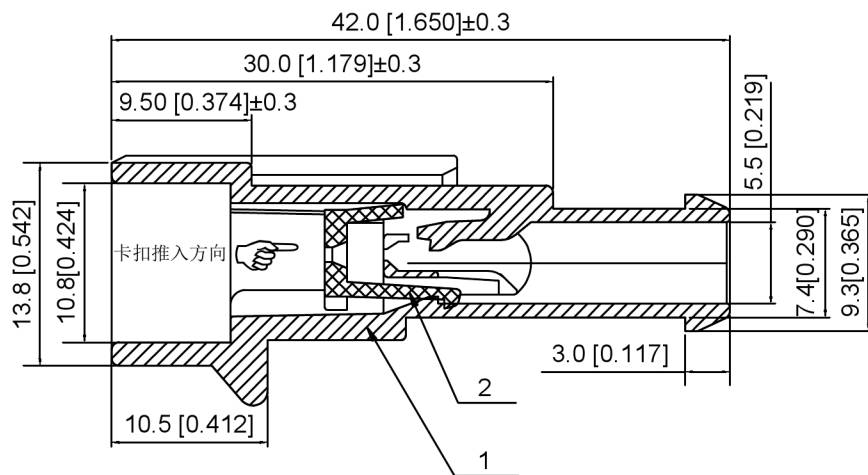
技术说明

- 1.表明光洁, 无明显缩坑与熔接痕
- 2.工作温度: -40℃- +120℃



K 282103 H - 1
 ① ② ③ ④

- 1.K: XKBTEK-Car Connector
- 2.XKB Series No
- 3.Category:H-HSG Male
- 4.1:type1(1Pin)



K282103H-1	K282079H-1	K282403T-1
		K282110T-1
		K282466T-1
PART NO	Suitable XKB Housing	Suitable XKB Terminal

two	lock catch	K282103H-1B	Red	PA66+GF30
one	main part	K282103H-1A	Black	PA66+GF10
serial number	name	PART NO	Color	Material

广东星坤科技股份有限公司

生	日期
△x	
△x	
△x	
MARK	

DESCRIPTION	REVISIONS	DATE	REVISED	APPROVED	UNSPECIFIED TOLERANCES	DSND	SCALE: N/A	MODEL TYPE: 6.0mm Automobile connector
						DWN	VIEW:	PART NO.: K282103H-1
						CHKD	UNIT: mm/in	DWG NO.: X-K282103H-1
						APPD	SIZE: A4	
						XKB INDUSTRIAL PRECISION CO.,LIMITED		WEIGHT SHEET REVISION 1/1 A0

文件工程章



2.5 [0.098]

1.50 [0.059]

1.8 [0.070]

0.80 [0.032]

22.7 [0.892]±0.3

2.35 [0.092]

2.6 [0.102]

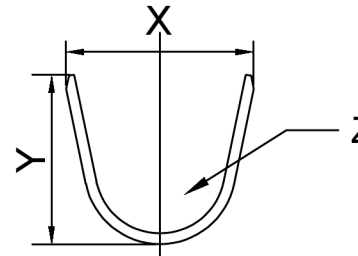
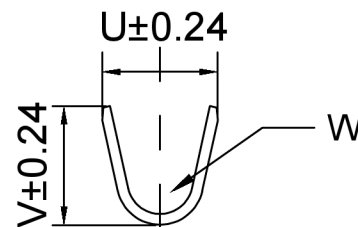
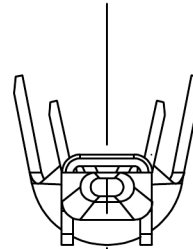
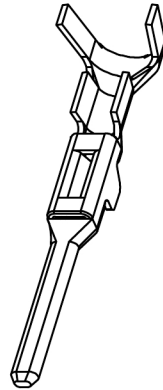
1.6 [0.063]

6.0 [0.235]

2.50 [0.098]

Ø1.50 [Ø0.059]

11.9 [0.467]



技术说明

- 1.表明光洁, 无明显缩坑与熔接痕
- 2.工作温度: -40°C- +120°C

K 282109 T - 1
① ② ③ ④

- 1.K: XKBTEK-Car Connector
- 2.XKB Series No
- 3.Catergory:T-Terminal Male
- 4.1:type1

K292109T-1	AWG#18-15	3.2	3.3	1.2	5.2	4.7	2.1
K282404T-1	AWG#22-20	2.5	2.3	1.2	5.2	4.7	2.1
K282465T-1	AWG#15-13	3.6	3.8	1.2	5.2	4.7	2.1
PART NO	Wire Range	U	V	W	X	Y	Z

K292109T-1	H65	Tin	K282079H / K282080H
K282404T-1			K282087H / K282088H
K282465T-1			K282089H / K282090H
PART NO	Material	Plating	Suitable XKB Housing

广东星坤科技股份有限公司

ΔX	日期
ΔX	日期
ΔX	日期
MARK	DESCRIPTION

文件工程章

ANGLAR	±5°
L ≤ 4	±0.2
4 < L ≤ 16	±0.3
16 < L ≤ 63	±0.4
L > 63	±0.5
UNSPECIFIED TOLERANCES	



DSND	SCALE: N/A	MODEL TYPE: 6.0mm Automobile connector
DWN	VIEW:	PART NO.: K282109T-1
CHKD	UNIT: mm/in	DWG NO.: X-K282109T-1
APPD	SIZE: A4	WEIGHT
XKB INDUSTRIAL PRECISION CO., LIMITED		SHEET
		REVISION
		1/1
		A0