

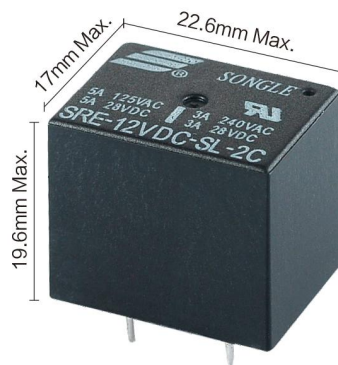
小型中功率继电器

Miniature Intermediate Power Relay

1A/3A/5A

特性 / FEATURES

- 体积小PCB焊接
Miniature volume, PCB terminal
- 1A/3A/5A多种负载选择
Contact rating: 1A/3A/5A
- 具有两组常开、两组转换触点形式
2 From A and 2 From C configurations



RoHS
Compliant

订购信息 / ORDERING INFORMATION

SRE-12VDC-S L-2C

2A/2C	触点形式 Contact Arrangement
L 0.45W / D 0.8W	线圈功率 Coil Power
S 密封/Sealed F 防焊剂/Flux proofed	封装形式 Construction
5/6/9/12/18/24VDC	线圈电压 Coil Voltage
	型号 Model

触点参数 / CONTACT PARAMETERS

触点形式	Contact arrangement	2A, 2C
接触电阻	Contact resistance	≤100mΩ (1A 6VDC)
触点材质	Contact material	银合金/Silver alloy: AgSnO ₂ In ₂ O ₃ , AgSnO ₂ , AgNi
触点负载(阻性)	Contact rating(Res. load)	1A 125VAC, 3A 125VAC, 5A 125VAC
最大切换电压	Max switching voltage	250VAC
最大切换电流	Max switching current	5A
最大切换功率	Max switching power	625VA
电耐久性 (频率:每小时360次)	Electrical endurance (Frequency:360 ops/h)	1x10 ⁶ ops / 1x10 ⁴ ops
机械耐久性 (频率:每小时18000次)	Mechanical endurance (Frequency:18000 ops/h)	1x10 ⁷ ops

小型中功率继电器

Miniature Intermediate Power Relay

1A/3A/5A

特性参数 / CHARACTERISTICS PARAMETERS

绝缘等级	Insulation level			B
绝缘电阻	Insulation resistance			50MΩ(500VDC)
介质耐压 (漏电流 1mA)	Dielectric strength (Leakage current 1mA)	线圈与触点间 Between coil and contacts	1000VAC 1min	
		断开触点间 Between open contacts	750VAC 1min	
吸合时间(额定电压下)	Operate time(at nominal voltage)			≤10ms
释放时间(额定电压下)	Release time (without diode) (at nominal voltage)			≤10ms
湿度	Humidity			5% ~ 85% RH
环境温度(°C)	Ambient temperature			-40°C ~ +85°C/+105°C
抗冲击	Shock resistance	稳定性/Functional	98m/s ²	
		强度/Destructive	980m/s ²	
抗振动(双振幅)	Vibration resistance (Double amplitude)			10Hz~55Hz 1.5mm
重量	Weight			约/Approx 12g
封装形式	Construction			密封/Sealed 防焊剂/Flux proofed

备注: 以上数据均为初始值

Remark: All above data is initial value

线圈参数 / COIL PARAMETERS

常温/At (23°C)

功耗(W)	Power consumption(W)	0.45W(L)						0.80W(D)					
		05	06	09	12	18	24	05	06	09	12	18	24
额定电压(VDC)	Nominal voltage(VDC)	05	06	09	12	18	24	05	06	09	12	18	24
线圈电阻(Ω±10%)	Coil resistance(Ω±10%)	55.5	80	180	320	720	1280	31.2	45	101.2	180	405	720
吸合电压(Max)	Pick-up voltage(Max)	75% 额定电压(Nominal voltage)						80% 额定电压(Nominal voltage)					
释放电压(Min)	Drop-out voltage(Min)	5% 额定电压(Nominal voltage)						10% 额定电压(Nominal voltage)					
允许最大电压(VDC)	Max allowable overdrive voltage(VDC)	130% 额定电压(Nominal voltage)											

安全认证(相关认证以第三方认证证书为准) / SAFETY APPROVAL RATINGS

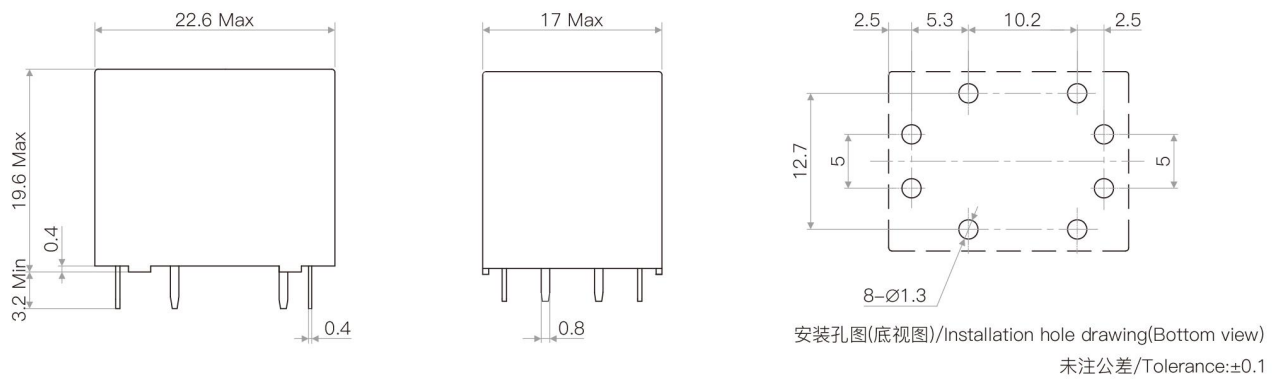


E167996

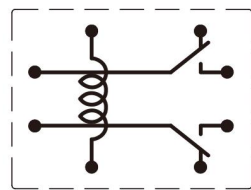
5A 125VAC

外形图 / OUTLINE DIMENSIONS

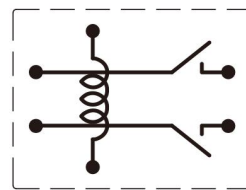
单位/Unit(mm)



线路图(底视图) / WIRING DIAGRAM (BOTTOM VIEW)



2转换2C型/Conversion 2C type



2常开2A型/Normally open 2A type