



Carbon Film Resistor



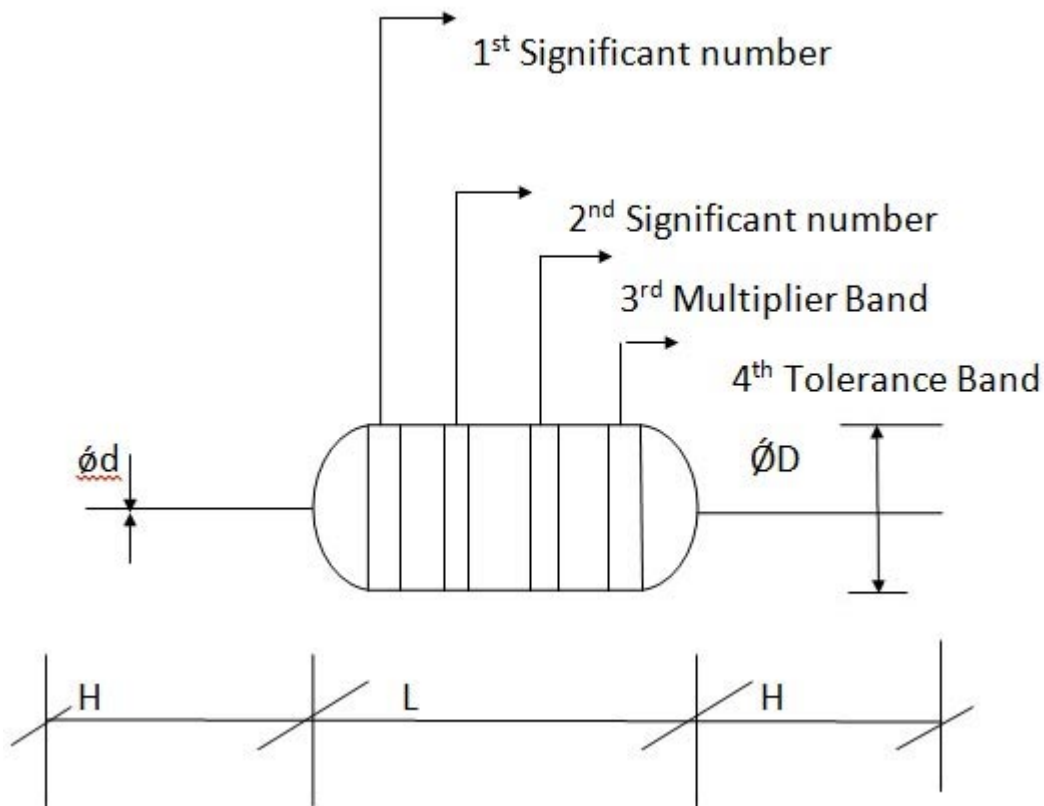
Features

- > Selected superior quality material.
- > Automated mass scale production.
- > Superior electrical performance.
- > Heat & wet proof epoxy coating.
- > Color band marking for easy identification.
- > Packed to customer requirement.
- > Low prices, faster deliveries.
- > RoHS compliant part, lead free.

Applications

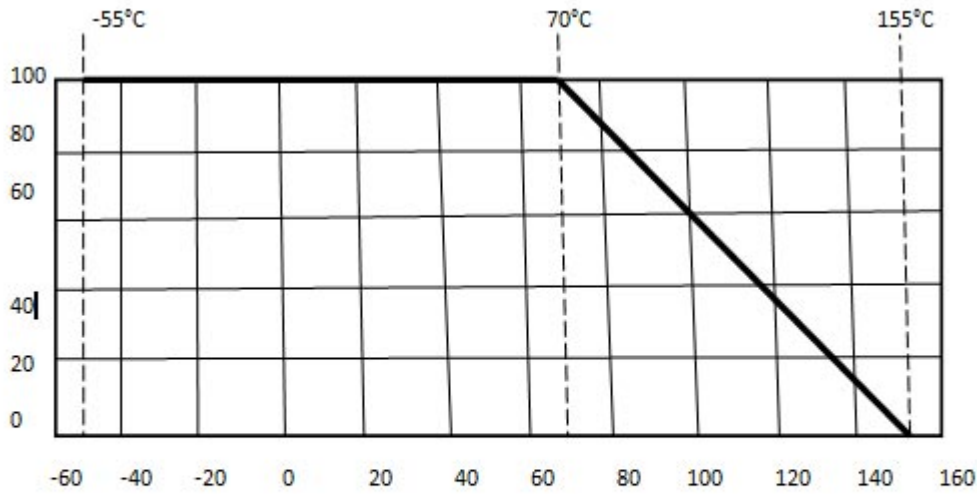
- > Consumer industry Electronics.
- > Telecommunication.
- > Automobile Electronics.
- > Power Electronics.
- > Medical Electronics.
- > Computers.

Diagram



Derating Curve

Carbon Film Resistors have an operating range of -55°C To $+155^{\circ}\text{C}$. They Derated according to the curve.



On X Axis-Ambient Temperature (°C)

On Y Axis-Rated Load (%)

Electrical Specifications

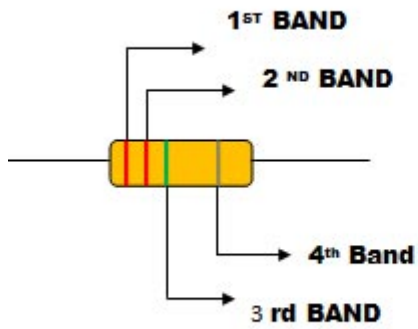
TYPE	Rated Power	L(in mm)	D(in mm)	d(in mm)	H(in mm)	Max working voltage	Max overload voltage	Range
TRC 16	0.16 W	3.7+/-0.4	1.8+/-0.2	0.45+/-0.02	27 Min	200	400	1 Ω-10MΩ
TRC 25M	0.25 W	3.7+/-0.4	1.8+/-0.2	0.45+/-0.02	27 Min	300	600	1 Ω-10MΩ
TRC 25	0.25W	6.5 +/- 0.5	2.4 +/-0.5	0.50 +/- 0.05	26 Min.	300	600	1 Ω-10MΩ
TRC 50M	0.50 W	6.5 +/- 0.5	2.4 +/-0.5	0.50 +/- 0.05	26 Min.	350	700	1 Ω-10MΩ
TRC 50	0.50W	9.0 +/-1.0	3.5 +/-0.5	0.56+/- 0.05	26 Min.	350	700	1 Ω-10MΩ
TRC 100	1W	12 +/-1.0	4.5 +/-0.5	0.70 +/- 0.05	26 Min.	500	1000	1 Ω-10MΩ
TRC 200	2W	16 +/-1.0	5.5 +/-1	0.70 +/- 0.05	26 Min.	500	1000	1 Ω-10MΩ

Temperature Coefficient

VALUE	TCR(PPM/°C)
<1K	+/-250PPM
1K to 10K	-300PPM
10K to 100K	-450PPM
100K to 1M	-1000PPM
>1M	-1200PPM

Marking Details

COLOR CODE MARKING



DETAILS	EXPLANATION
Band 1	1 st significant figure
Band 2	2nd significant figures
Band 3	3rd Number of zeros to follow (Multiplier)
Band 4	tolerance band

COLOR	DIGITAL VALUE	MULTIPLIER	TOLERANCE
Black	0	1	-
Brown	1	10	-
Red	2	100	+/-2%
Orange	3	1k	
Yellow	4	10k	
Green	5	100k	
Blue	6		
Violet	7		
Grey	8		
White	9		
Gold	-	0.1	+/-5%
Silver	-	0.01	+/-10%