

HR871181A

Electrical Specification @25°C

RoHS Compliant (PB Free)

Isolation: 1500Vrms 0.5mA 60sec (J1~8 to P1~6)

OCL: 350uH Minimum @100KHz 100mV with 8mADC

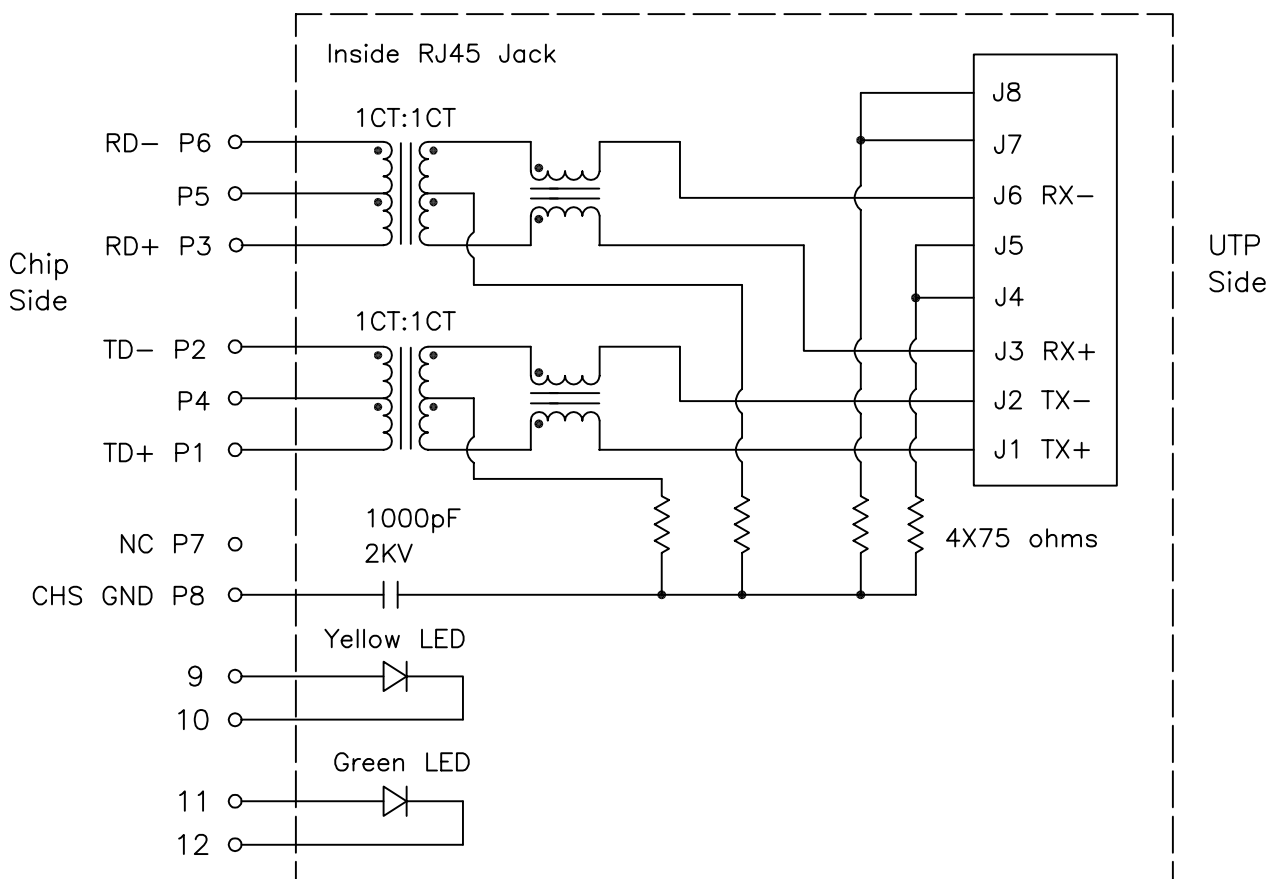
Insertion Loss: -1.0dB Maximum @300KHz ~ 100MHz

Return Loss: -20dB Minimum @1MHz ~ 10MHz / -16dB Minimum @10MHz ~ 30MHz
-12dB Minimum @30MHz ~ 60MHz / -10dB Minimum @60MHz ~ 80MHz

Common Mode Rejection: -30dB Minimum @1MHz ~ 50MHz
-20dB Minimum @50MHz ~ 150MHz

Crosstalk: -40dB Minimum @1MHz ~ 30MHz / -35dB Minimum @30MHz ~ 60MHz
-30dB Minimum @60MHz ~ 100MHz

Schematics

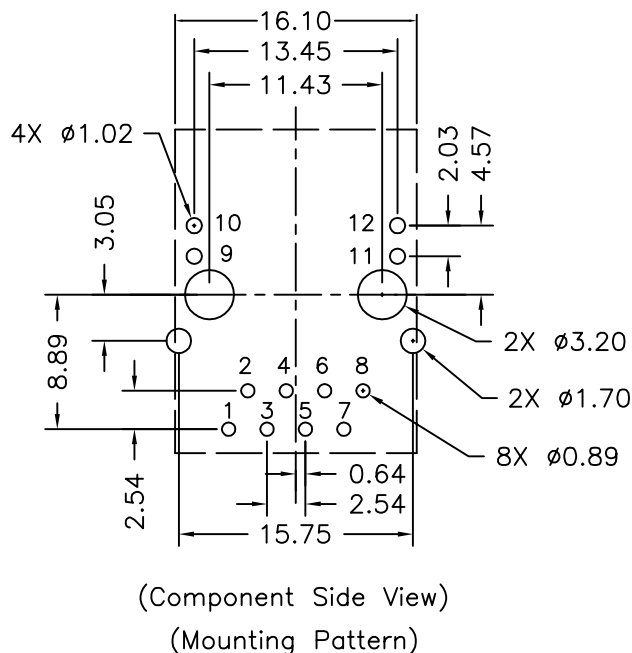
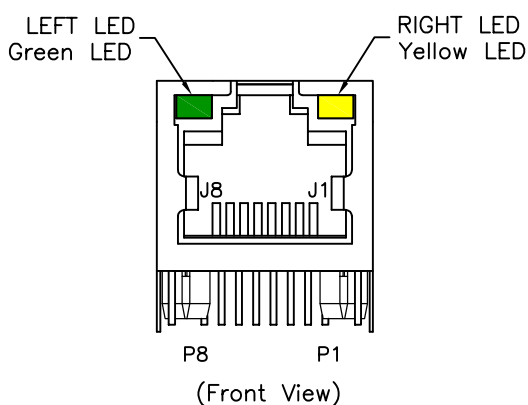
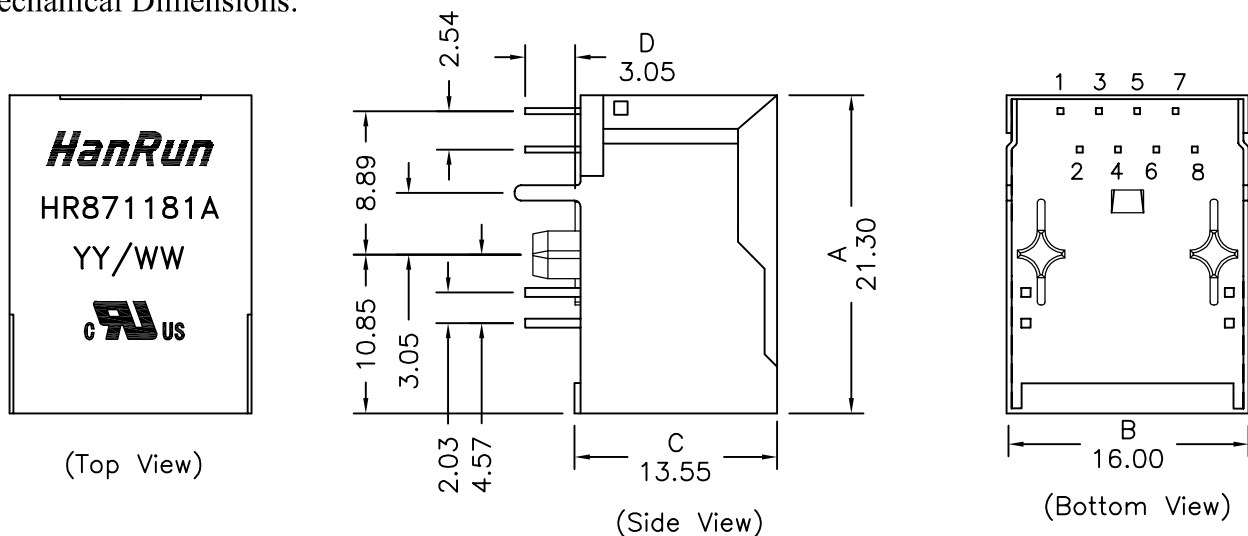


Notes: Connect CHS GND to PCB Ground

HR871181A

- RoHS Compliant (PB Free)
- Meets or Exceeds IEEE802.3 standards including 350uH Min OCL with 8mADC
- High performance for EMI suppression, Crosstalk, Return Loss and Consistent Electrical
- Minimum 1500Vrms isolation per IEEE802.3 requirement
- Minimize PCB space and Simplify PCB Layout
- Less magnetic components to be placed on PCB, higher reliability and yields
- UL Recognized Component: File # E330599

Mechanical Dimensions:



Dimensions in mm

Unless otherwise specified, Tolerance: .xx ± 0.25

HR871181A

General Specifications:

RoHS Compliant (PB Free)
Operating Temperature Range: 0°C ~ +70°C
Storage Temperature Range: -40°C ~ +85°C
UL Recognized Component: File # E330599

Materials and Finish:

Housing: Thermoplastic Black per UL 94V-0
Shield: 50 micro-inch Nickel over 0.01 inch copper alloy
Contact: Phosphor Bronze, base material
RJ Contact Plating: 100% tin plating with nickel underplating, 30u" gold plating on contact area
LED (Green): Frwd Voltage: 1.8 ~ 2.8V
Drive Current: 20mA
Wave Length: 568 ~ 573 nm typ.
LED (Yellow): Frwd Voltage: 1.8 ~ 2.8V
Drive Current: 20mA
Wave Length: 585 ~ 592 nm typ .
RJ45 Jack cavity conforms to FCC rules and regulation Part 68.

Material	Trade name	chemical marking	UL flame class
housing	PBT	PBT	94V-0
insert	PBT/phosphor bronze	PBT/C5191	94V-0
shield	Brass	C2680	
PCB	FR4	Fiber glass	94V-0
resin	TCS270-260	SILICONE	94V-0