

DA14531 SmartBond TINY™ Module

The DA14531 SmartBond TINY™ Module is the Bluetooth® low energy solution that will power the next 1 billion IoT devices through ease of use.

The DA14531 SmartBond TINY™ Module, based on the world's smallest and lowest power Bluetooth 5.1 System-on-Chip, brings the DA14531 SoC advantages to an integrated module. It just requires a power supply and a printed circuit board to build a Bluetooth application.

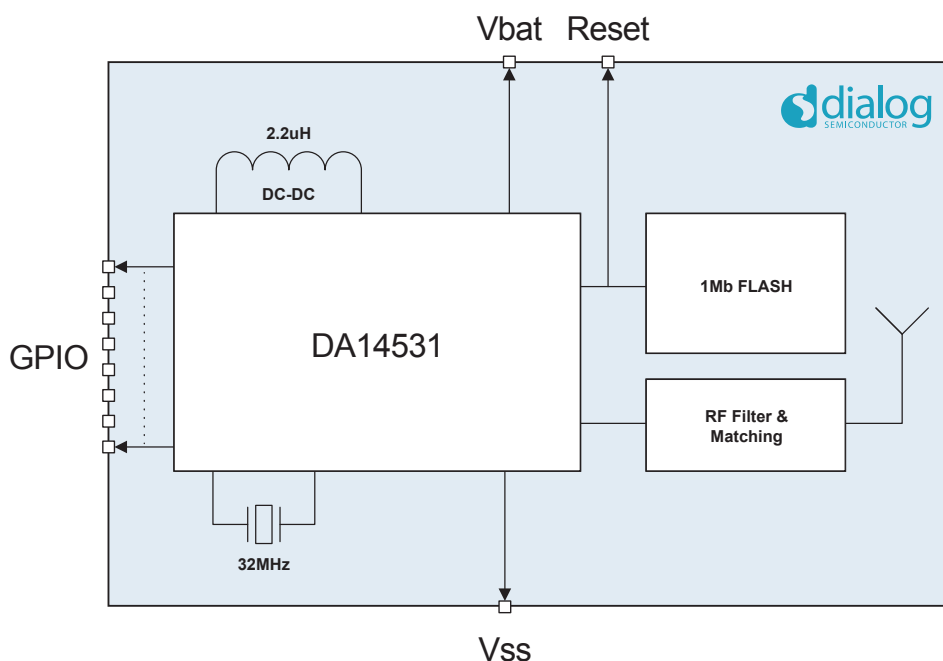


The module is targeting broad market use and will be certified across regions providing significant savings in development cost and time-to-market.

It comes with an integrated antenna and easy to use software making Bluetooth low energy development easier than ever before.

This awesome combination takes mobile connectivity to applications previously out of reach, enabling of the next billion IoT devices, with SmartBond TINY™ at their core.

DA14531 SmartBond TINY™ Module Block Diagram



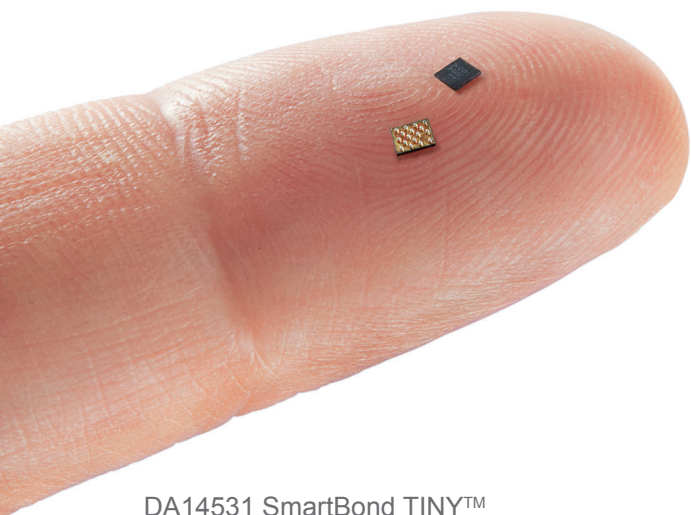
Key Features:

- Bluetooth 5.1 core qualified
- Integrated antenna
- Worldwide certification
- Cortex-M0+ @16MHz
- IoTMark™-BLE score of 18300
- 23.75uA/MHz MCU current
- Memory: 48kB RAM, 32kB OTP & 1Mb FLASH
- 1.8-3.3V Supply Range
- +2.2dBm max output power
- -93dBm sensitivity
- Rx current 2mA at 3V
- Tx current 4mA at 3V at 0dBm
- Interfaces: 2xUART, SPI, I2C
- 4-channel 10-bit ADC
- 8 GPIO
- Built-in temperature sensor
- Operating temperature: -40°C to +85°C
- Dimensions: 12.5x14.5x2.8 mm

Applications

- Beacons, Remote controls, Proximity tags, Toys, Low power sensors, Bluetooth LE add-on “pipe” to existing applications
- Provisioning of any type of equipment providing ease of use with smartphone APP-based based setup and control, eliminating the need for printed user manuals

Based on the DA14531 with a powerful 32-bit Arm Cortex-M0+, integrated memories and a complete set of analog and digital peripherals, SmartBond TINY™ module is extremely power efficient. The DA14531's architecture and resources allow it to be used as a standalone wireless microcontroller or as a Bluetooth LE data pipe extension to designs with existing microcontrollers. It is complemented by a flexible Software Development Kit (SDK) supporting major compilers such as Keil® and GCC out of the box. For simple applications, the Dialog CodeLess software will allow development without writing software code at all, using a comprehensive set of AT commands and pushing the boundaries of ease of use to the next level.



DA14531 SmartBond TINY™

Software and Hardware Tools

SmartSnippets™ SDK

The DA14531 is delivered with our complete SmartSnippets™ Software Development Kit including Dialog's mature and proven Bluetooth stack.

SDK features:

- Bluetooth 5.1 core features
- SUOTA for easy Software-Upgrade-Over-the-Air
- HCI/GTL/DSPS support to act as Bluetooth LE data pipe for an external MCU
- Security with software based TRNG
- CodeLess AT Command software
- Key profiles like device information and battery service
- Software examples

SmartSnippets Studio

SmartSnippets™ Studio is a royalty-free software development platform for Smartbond™ devices. It fully supports the DA14531 and DA1458x. The compiler support for DA14531 is based on the free version from Keil® or GCC

SmartSnippets™ Toolbox

SmartSnippets™ Toolbox is provided with the Development Kit of Dialog's Bluetooth chipset. It is targeting the main activities of programming and optimizing code for best power performance.

Key features to the Toolbox are:

- Data rate monitoring
- Power profiling for real-time access of power consumption
- Programmer of FLASH and OTP
- Interfacing to hardware for device configuration: Power modes, radio setting etc.

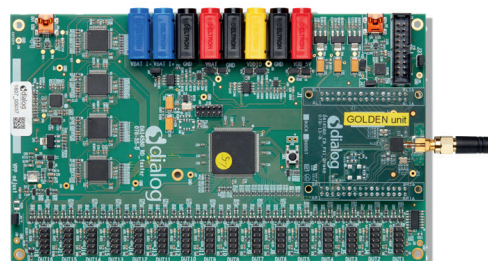
Production Line Toolkit

The Production Line Toolkit enables customers to save cost by

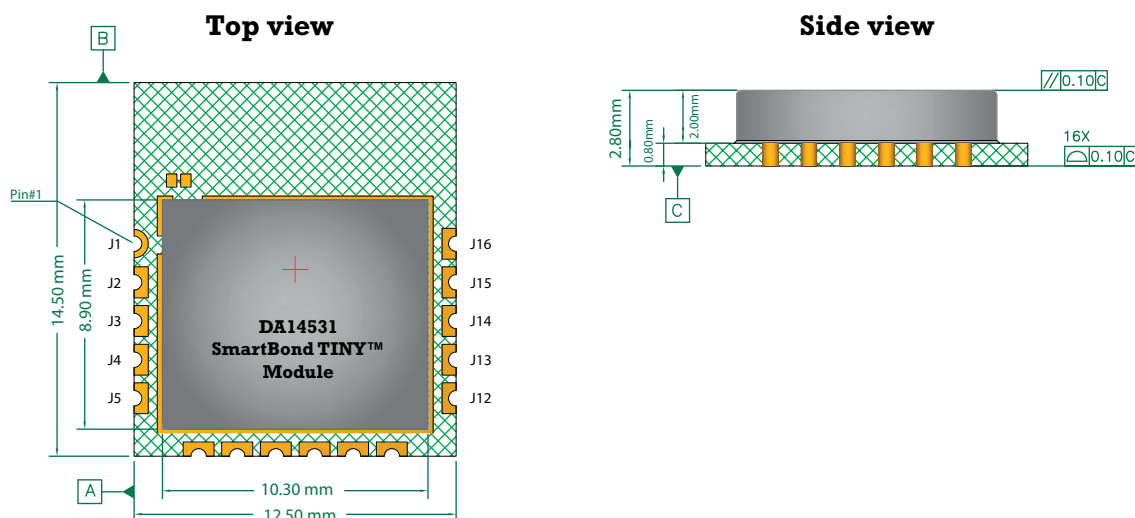
- Accelerated production set up (fast track to production start)
- High throughput of less than 1 sec/device by running 16 devices under test in parallel

Key features:

- XTAL trimming
- RF testing
- SW programming
- Functional testing



DA14531 SmartBond TINY™ Module Package



Ordering Information

DA14531 SmartBond TINY™ Module

Part number	Size (mm)	Shipment Form	Pack Quantity	MOQ
DA14531MOD-00F01002	12.5 x 14.5 x 2.8	Reel	1000	1
DA14531MOD-00F0100C	12.5 x 14.5 x 2.8	Reel	100	3



DA14531 Development Kits

Part number	Description
DA14531MOD-00DEVKT-P	Bluetooth Low Energy Development Kit Pro for DA14531 SmartBond TINY™ Module: Includes motherboard, daughterboard and cables; Primary usage is SW application development and power measurements
DA14531MOD-00F1DB-P	DA14531 Module Daughterboard for Pro Development Kit

For more information and purchasing please visit:

www.dialog-semiconductor.com/products/bluetooth-module-da14531-smartbond-tiny



Dialog Semiconductor Worldwide Sales Offices

www.dialog-semiconductor.com email: info@diasemi.com

United Kingdom
Phone: +44 1793 757700

The Netherlands
Phone: +31 73 640 88 22

Japan
Phone: +81 3 5769 5100

Singapore
Phone: +65 648 499 29

Korea
Phone: +82 2 3469 8200

Germany
Phone: +49 7021 805-0

North America
Phone: +1 408 845 8500

Taiwan
Phone: +886 281 786 222

Hong Kong
Phone: +852 3769 5200

China (Shenzhen)
Phone: +86 755 2981 3669

China (Shanghai)
Phone: +86 21 5424 9058

This publication is issued to provide outline information only, which unless agreed by Dialog Semiconductor may not be used, applied, or reproduced for any purpose or be regarded as a representation relating to products. All use of Dialog Semiconductor products, software and applications referred to in this document are subject to Dialog Semiconductor's Standard Terms and Conditions of Sale, available on the company website (www.dialogsemiconductor.com) unless otherwise stated. Dialog and the Dialog logo are trademarks of Dialog Semiconductor plc or its subsidiaries. All other product or service names are the property of their respective owners. © Copyright 2019 Dialog Semiconductor. All rights reserved.

