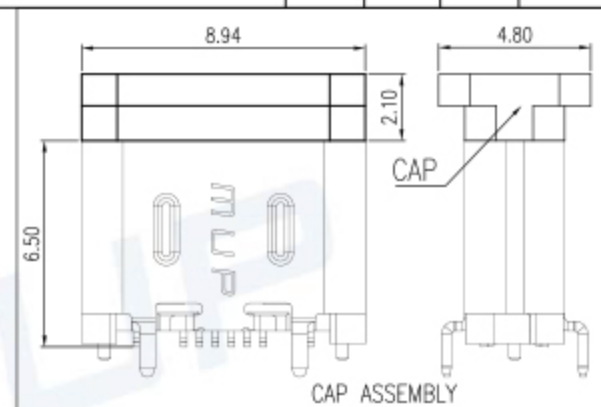
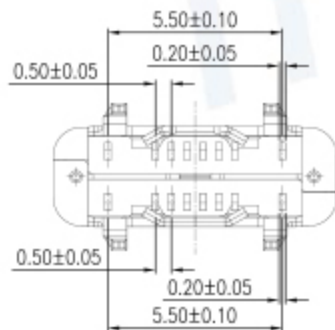
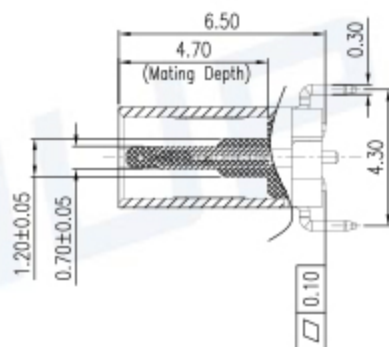
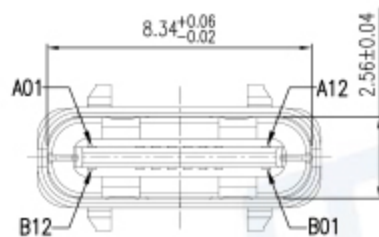
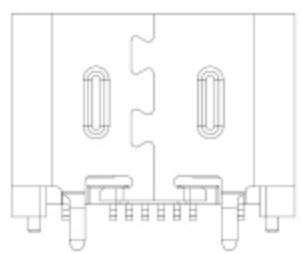


RECOMMENDED PCB LAYOUT  
TOLERANCES UNLESS OTHERWISE SPEC. ±0.05



- NOTE:
- MECHANICAL:
    - 1-1 Insertion force: 5~20N
    - 1-2 Extraction force: 8~20N
    - Extraction force: 10000 CYCLES 6~20N
    - 1-3.FREQUENCY:500±50 CYCLES/HOUR,10000 CYCLES;
  - ELECTRICAL CHARACTERISTICS:
    - 2-1. CURRENT RATING:
      - VBUS Pins (A4,A9,B4,B9), 5.0A,
      - GND Pins(A1,A12,B1,B12)&Vconn(B5) : 1.25A
      - Other All Pins 0.25A
    - 2-2. INITIAL CONTACT RESISTANCE:40mΩ Max.
    - 2-3. INSULATION RESISTANCE:100MΩ MIN
    - 2-4. WITHSTANDING VOLTAGE:100V AC,1 MINUTE;
  - ENVIRONMENTAL
    - TEMPERATURE RANGE: -40°C TO +85°C.



A1	GND	B12	GND
A4	VBUS	B9	VBUS
A5	CC1	B8	SBU2
A6	DP1	B7	DN2
A7	DN1	B6	DP2
A8	SBU1	B5	CC2
A9	VBUS	B4	VBUS
A12	GND	B1	GND
PIN	SIGNAL NAME	PIN	SIGNAL NAME



REV.	DESCRIPTION OF REVISIONS	APPR.	CHKD.	DRAW.	DATE
△	Original reversion	lucky	lucky	Roy	2022/06/10
△	Change product model No.	lucky	lucky	Roy	2023/10/25

ITEM	PART NAME	Q'TY	MATERIAL	FINISH
1	Molding	1	THERMOPLASTIC	Black, UL94V-0
2	CONTACT	16	HIGH CONDUCTIVITY COPPER	Contact area: Au:1u"
3	SHELL	1	STAINLESS STEEL	Ni plated over all
4	MID-PLATE	1	STAINLESS STEEL	Cleaning
5	CAP	1	THERMOPLASTIC	Black, UL94V-0

Unless otherwise specified, other tolerance are:

**MUP<sup>®</sup> MUP INDUSTRIAL CO.,LTD.**

NAME: **USB Type C Vertical Mount Receptacle**

MODEL NO: **MUP-U23010-02**

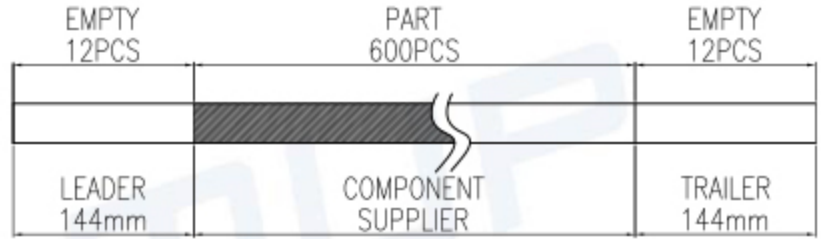
TYPE: **16Pin With Cap Vertical Mount 6.5H**

PROJ.	UNIT	SCALE	DRAW	Roy	2022/06/10	DWG NO:	DWG-U23010-02-01
⊕	mm	1:1	CHECKED	lucky	2022/06/10	SHEET	1/2
CUSTOMER DRAWING			APPROVAL	lucky	2022/06/10	REVISION	2

REV.	DESCRIPTION OF REVISIONS	APPR.	CHKD.	DRAW.	DATE
△	Original reversion	lucky	lucky	Roy	2022/06/10
△	Change product model No.	lucky	lucky	Roy	2023/10/25

NOTES

1. NUMBER OF CONNECTORS:600PCS/REEL
2. LEAD TAPE LENGTH



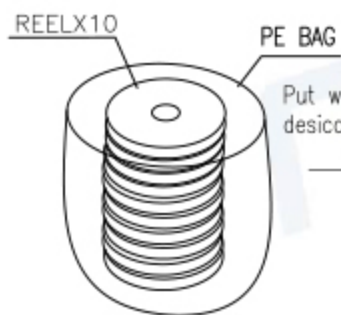
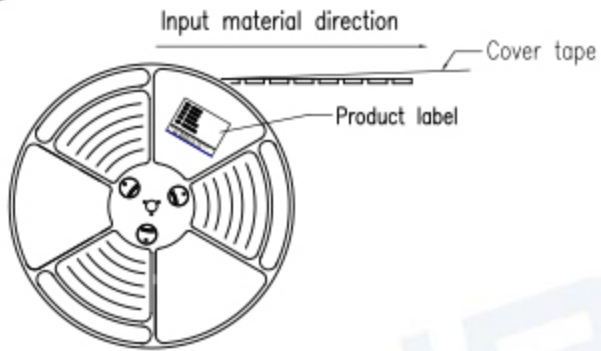
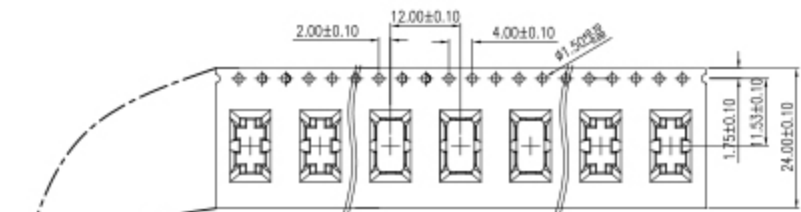
3. QUANTITY:6000/CARTON

4. WEIGHT :

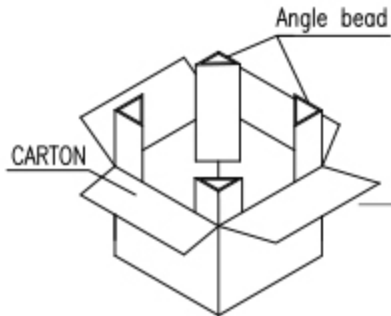
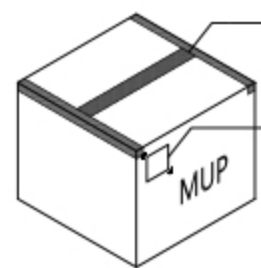
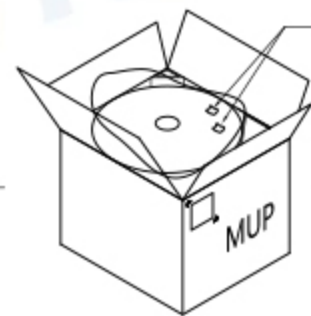
4.1 NET WEIGHT : 3.33 Kg

4.2 GROSS WEIGHT : 7.3 Kg

5.Meas:350Lx350Wx315H mm



Put waterproof PE bag inside the box and add two desiccants.



Unless otherwise specified, other tolerance are:

X	±0.40	X'	±5'
X.X	±0.30	X.X'	±4'
X.XX	±0.20	X.XX'	±3'
X.XXX	±0.10	X.XXX'	±2'

PROJ. UNIT SCALE  
 mm 1:1  
 CUSTOMER DRAWING

**MUP** MUP INDUSTRIAL CO.,LTD.

NAME:	USB Type C Vertical Mount Receptacle
MODEL NO:	MUP-U23010-02
TYPE :	16Pin With Cap Vertical Mount 6.5H
DRAW	Roy 2022/06/10
CHECKED	lucky 2022/06/10
APPROVAL	lucky 2022/06/10

DWG NO.: DWG-U23010-02-01  
 SHEET 2/2 REVISION 2

