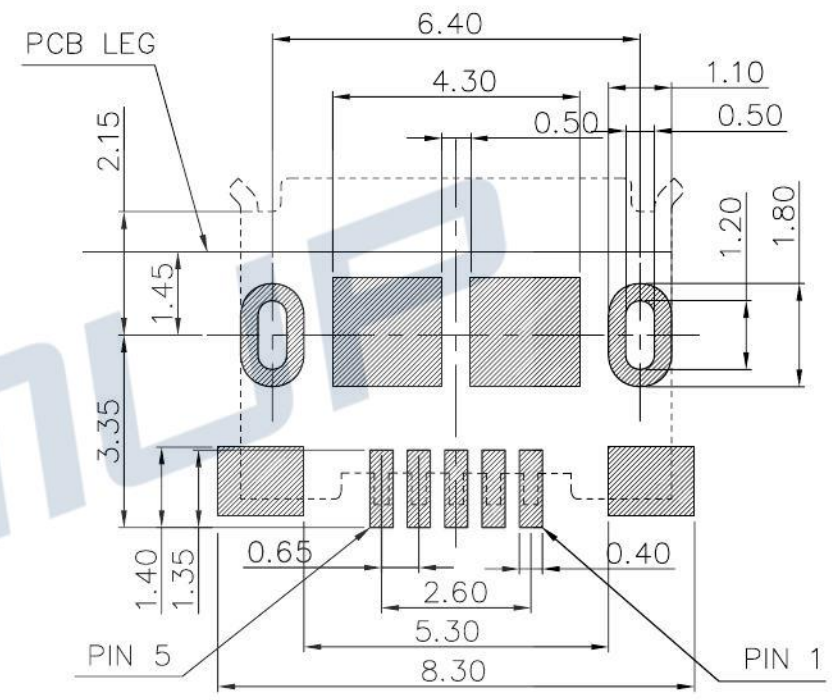
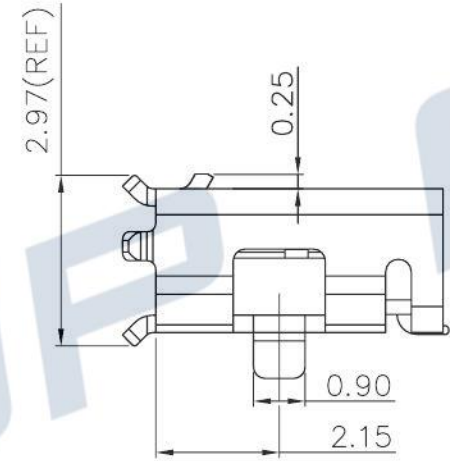
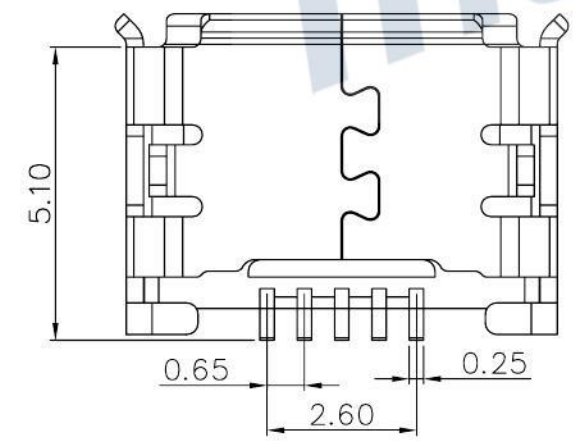
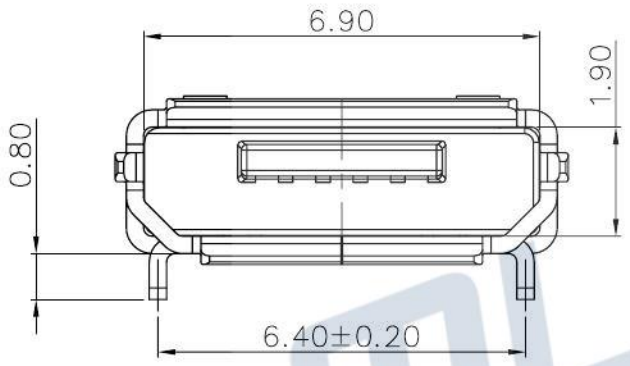
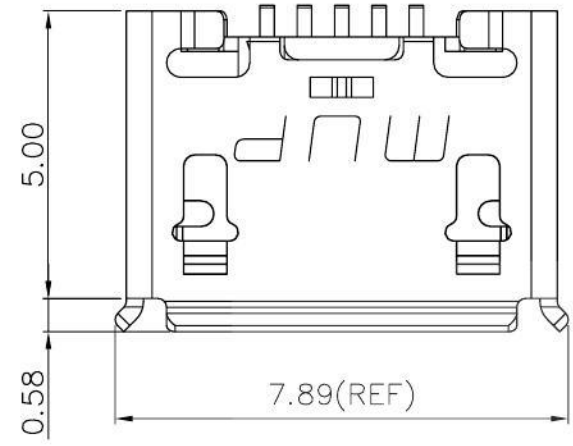


REV.	DESCRIPTION OF REVISIONS	APPR.	DRAW.	RELEASE	DATE
X1					
X2					



RECOMMENDED P.C.B LAYOUT
COMPONENT SIDE(TOLERANCE ±0.05)

TECHNICAL CHARACTERISTICS

1.General Characteristics
Dimensions: 7.90LX5.70WX2.90H mm
Weight: Approx0.22±0.1g
Durability: 5,000 cycles min.

2.Electrical Characteristics
Contact resistance: 30mΩ max
Insulation resistance: >1000MΩ/500V DC

3.Solderability
Vaporphase: 215°C,30sec.Max
IR reflow: 250°C,5sec.Max
Manual soldering: 370°C,3sec.Max

4.Environmental Characteristics
Operating temperature: -40°C~+85°C
Operating humidity: 10%~+95%RH

ITEM	PART NAME	Q'TY	MATERIAL	FINISH
1	HOUSING	1	Hi-temp Thermoplastic	Black UL94V-0
2	SHELL	1	Stainless steel	Ni plated over all
3	TERMINAL	5	Copper Alloy	Contact area:Gold plated

Unless otherwise specified, other tolerance are:

MUP[®] MUP INDUSTRIAL CO.,LTD.

NAME: **Micro USB Connector**

MODEL NO: **MUP-U521(DIPX2+SMTX2)**

TYPE: **5 PIN With Logo (W/O post)**

PROJ.	UNIT	SCALE	DRAWN	Jimmy May.23.2013	DWG NO.:	MUP-U521-004	
	MM	1:1	CHECKED	Zoey May.23.2013	SHEET	1/1	REVISION
CUSTOMER DRAWING			APPROVAL	Simon May.23.2013	X1		

