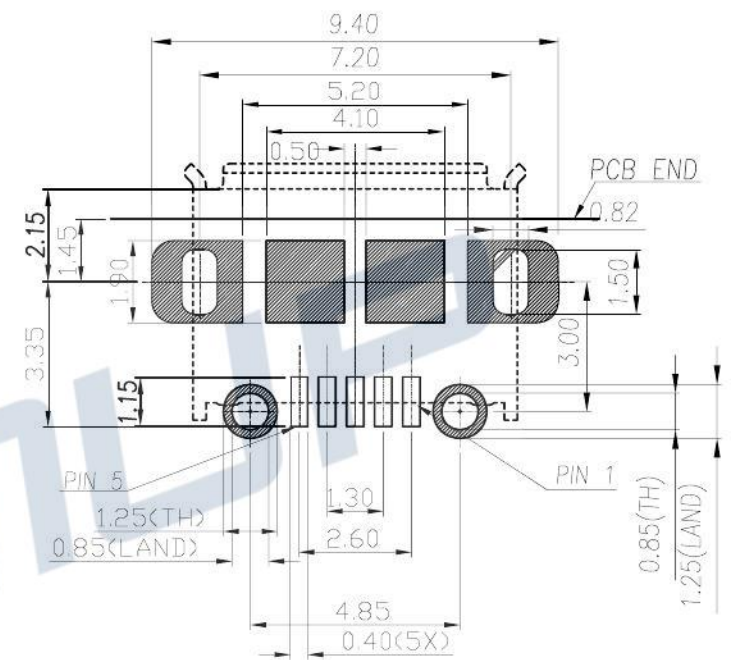
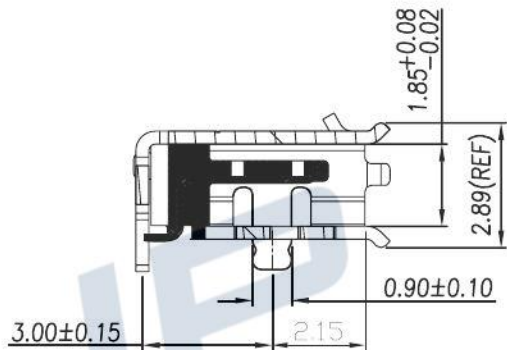
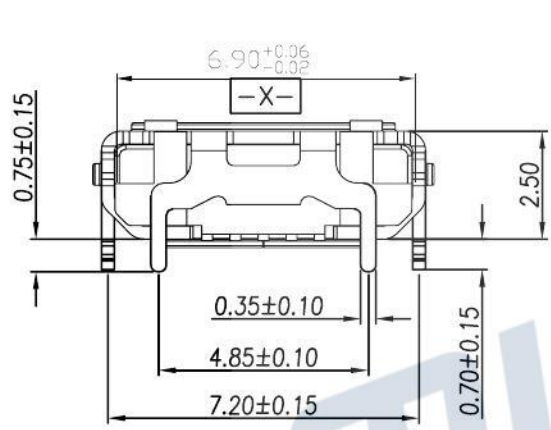
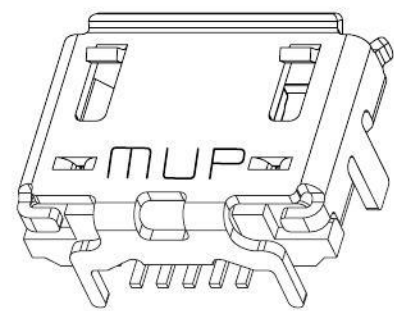
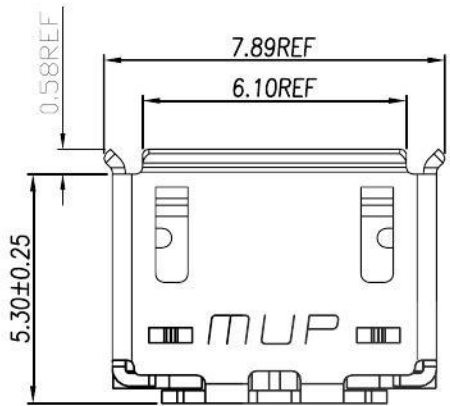


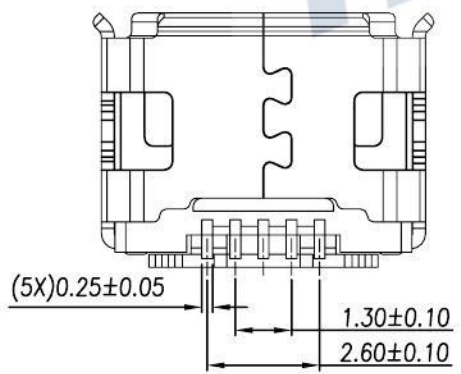
REV.	DESCRIPTION OF REVISIONS	APPR.	DRAW.	RELEASE	DATE
X1					
X2					



RECOMMENDED P.C.B LAYOUT  
COMPONENT SIDE(TOLERANCE ±0.05)

TECHNICAL CHARACTERISTICS

- General Characteristics  
Dimensions: 8.00LX5.60WX2.90H mm  
Weight: Approx 0.20±0.1g  
Durability: 5,000 cycles min.
- Electrical Characteristics  
Contact resistance: 50mΩ max  
Insulation resistance: >1000MΩ/250V DC
- Solderability  
IR reflow: 250°C, 5sec. Max  
Manual soldering: 370°C, 3sec. Max
- Environmental Characteristics  
Operating temperature: -40°C ~ +85°C  
Operating humidity: 10% ~ +95%RH



ITEM	PART NAME	Q'TY	MATERIAL	FINISH
1	BASE	1	LCP 30%GF	Black UL94V-0
2	SHELL	1	Stainless steel	Ni plated over all
3	DATA CONTACT	5	Copper Alloy	Contact area: Gold plated

Unless otherwise specified, other tolerance are:

X	±0.35	X'	±5'
X.X	±0.25	X.X'	±4'
X.XX	±0.15	X.XX'	±3'
X.XXX	±0.10	X.XXX'	±2'

**MUP** MUP INDUSTRIAL CO.,LTD.

NAME: **Micro USB Connector**  
 MODEL NO: **MUP-U516(5pin without post)**  
 TYPE: **DIPx2(7.20)+DIPx2(4.85)**

PROJ.	UNIT	SCALE	DRAWN	DATE	DWG NO.:
①	MM	1:1	Zoey	Jun.14.2012	MUP-U516-002
CUSTOMER DRAWING			CHECKED	DATE	SHEET
			Simon	Jun.14.2012	1/1
			APPROVAL	DATE	REVISION
					X2

